

# Model: MX12P-1TD



1/2" Oval gear flow meter designed for a broad range of Industrial Process applications.

- Stainless Steel construction
- FEP - Teflon® encapsulated seals
- Max flow rate 30 LPM / 8 GPM
- Temperatures up to 150°C
- Accuracy +/- 0.5% (0.25% available)
- Available with BSP(Rp) or NPT Process connections
- Suitable for high viscosity fluids

## Select a Flowmeter

### Step 1.Size

12 (1/2")

### Step 2.Family

P series -INDUSTRIAL

### Step 3.Process Connection

1 - BSP (Rp)

### Step 4.Rotor Type

T - High Temp

### Step 5.Pulsar

D - 12mm LC Display

## Process Connection

Port Size	1/2"
Connection Type	BSP (Rp)

## Material of Construction

Body	316SS
Rotor	316SS
Bushing	Carbon
Seal	FEP (Teflon®)

## Technical Specifications

Flow Range	<5cps	>5cps
	3 - 25 LPM	2 - 30 LPM
	0.8 - 6.6 GPM	0.5 - 8 GPM
Max Pressure	13790 kPa	2000 psi
Temperature	-20 - 60°C	-4 - 140°F
K-Factor	Refer to Flowmeter Data Plate	
Accuracy	+/- 0.5% (0.25% available with reduced range)	
Repeatability	+/- 0.03%	

## Service Kits

	Part Number	Description
Rotor Kit	MXS-12P-HTrotor	Rotor set and O-ring
Seal Kit	MXS-12P-seal	Meter Cap O-Ring - FEP (Teflon®)

## Accessories

SS Y Strainer	YS012-01
Air Eliminator/Strainer	N/A
Wall Mount Adaptor	MXA-12-WM
3 point cal check	MXA-3ptcal
Pressure test	MXA- PRESSTEST

# DIGITAL DISPLAY TYPE: D



## Type PR 12mm LC Display

The PR series is a meter mounted digital register with a 12mm LCD display, providing real-time indication of Flow rate, total and accumulated total.

### Construction

<b>Material</b>	Polypropylene	
<b>IP Rating</b>	67	
<b>Mounting</b>	Meter Mount	
<b>Connection</b>	M-Lock™	
<b>Cable Entry</b>	2x 12mm (blind)	
<b>Dimensions</b>	<b>Height (mm)</b>	<b>Diameter (mm)</b>
	48 mm	99 mm

### Technical Specifications

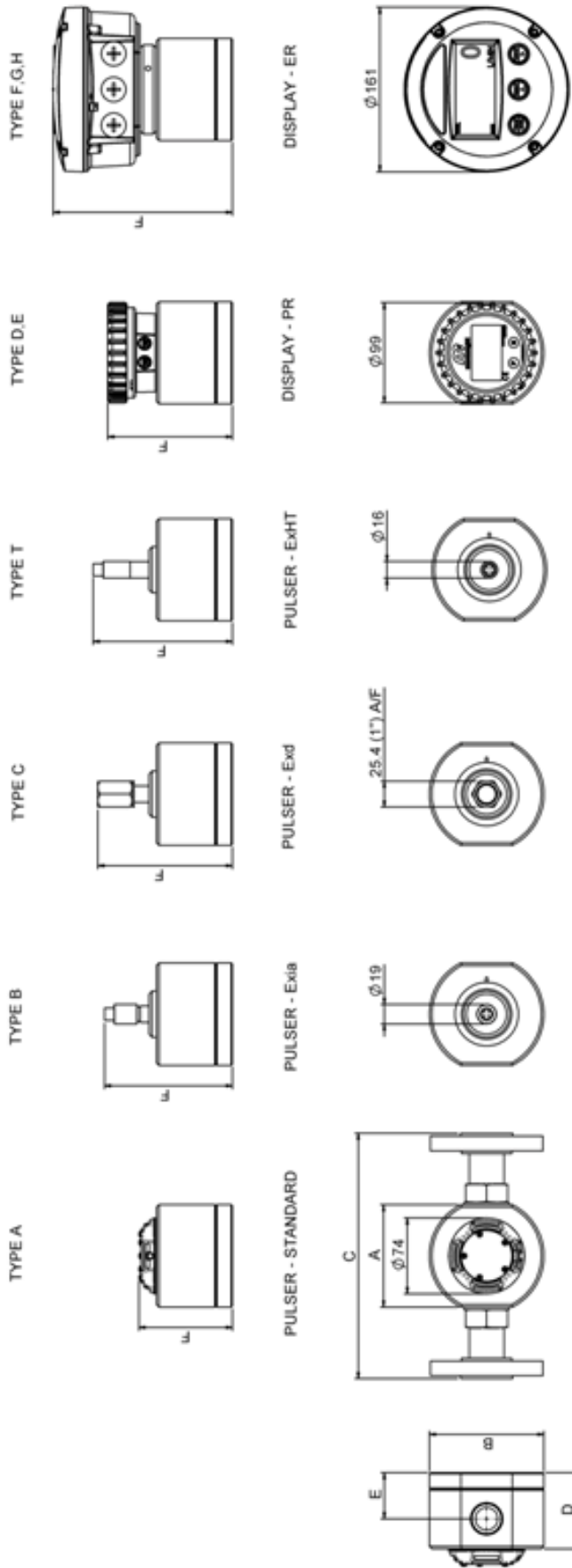
<b>Power Supply</b>	<b>Battery</b>	<b>External Pwr Supply</b>
	3V Lithium	-
<b>Backup</b>	EEPROM Flash memory	
<b>Outputs</b>	No	
	No	
	No	

### Service Kits

Part Number	Description
MXS-PCB-PR	PCB + Housing to suit display types D, E
MXS-DIS-PR	LCD unit to suit Display PR

### LC Display

Digital Size	Upper LCD	Lower LCD	
	7 digit / 12mm	7 digit / 7mm	
Display	Total	Acc Total	Flow Rate
	resettable	non-resettable	User defined units



METER SIZE	PORT SIZE	METER AND FLANGE DIMENSIONS										PULSER AND DISPLAY HEIGHT - F							
		A	B	C	D	E	TYPE A	TYPE B	TYPE C	TYPE T	TYPE D,E	TYPE F,G,H	TYPE A	TYPE B	TYPE C	TYPE T	TYPE D,E	TYPE F,G,H	
MX06	1/4"	71	74	N/A	42	25	59	93	100	104	90	143	59	93	100	104	90	143	
MX09	1/4"	71	74	N/A	42	24	59	93	100	104	90	143	59	93	100	104	90	143	
MX12	1/2"	81	87	N/A	49	28	66	100	107	111	97	150	66	100	107	111	97	150	
MX19	3/4"	100	112	N/A	62	37	79	113	120	124	110	163	79	113	120	124	110	163	
MX25	1"	100	112	240	75	45	92	126	133	137	123	176	92	126	133	137	123	176	
MX40	1 1/2"	120	137	240	103	61	120	154	161	165	151	204	120	154	161	165	151	204	
MX50	2"	140	163	264	124	72	141	175	182	186	172	225	141	175	182	186	172	225	