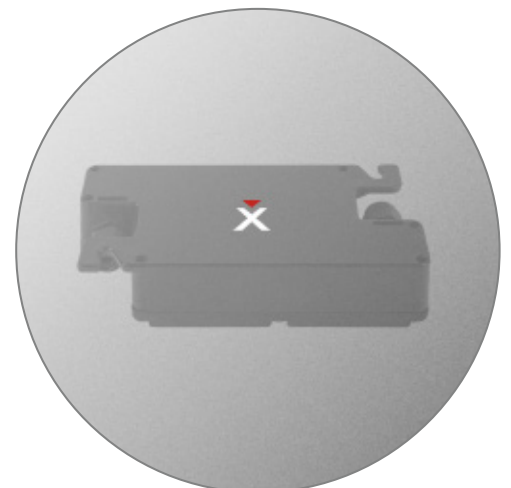


# GRAM Xtrem Condor AI



## Easy access for intensive use

- Low height platform (50 mm) and two wide ramps, with fully digital Xtrem weighing core.
- Corrosion resistant, versions in AISI 304 and AISI 316 for extreme conditions.
- EP model suitable for Euro-pallet weighing with hand truck.
  - Polished finish by glass bead pressure blasting.
  - Fully autonomous, data sent to an indicator, PC, tablet or iOS or Android smartphone\*.
  - Maximum safety: important adjustment and calibration data incorporated in the platform.
  - Connects to WiFi network\* and sends the data to any equipment connected to the IP network.
  - Total flexibility: Sends the data via cable and WiFi.



### Digital core

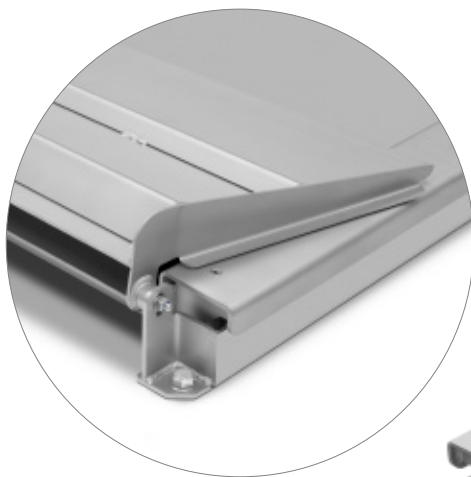
Xtrem digital module integrated inside.

\*Optional.

Hold

→T←

Time	Item
09:07:46	7638900295641
12:10:26	7638900295641

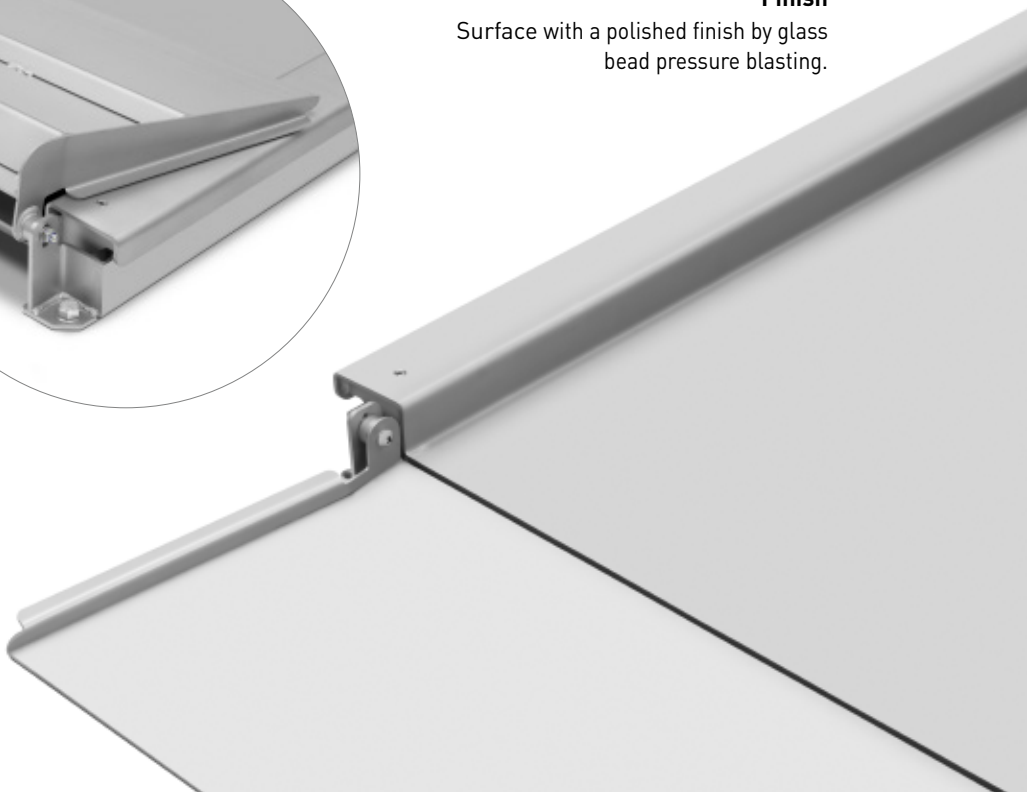


**Fold-in ramps**

Its two access ramps fold in easily, for extra space when not in use.

**Finish**

Surface with a polished finish by glass bead pressure blasting.



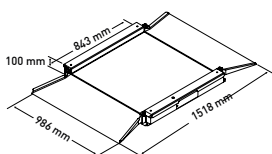
**Minimum effort**

With its low height of only 50 mm and wide ramps, it makes loading pallets easier, without the need for special handling on entry.

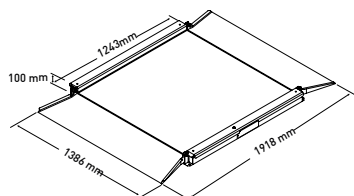
Model	Xtrem Condor AI 8080-600 304	Xtrem Condor AI 1212-1,5T 304	Xtrem Condor AI 1212-3T 304	Xtrem Condor AI 1515-1,5T 304	Xtrem Condor AI 1515-3T 304	Xtrem Condor AI 8080-600 316	Xtrem Condor AI 1212-1,5T 316	Xtrem Condor AI 1212-3T 316	Xtrem Condor AI 1515-1,5T 316	Xtrem Condor AI 1515-3T 316
Reference	60834	6751	60855	6925	60838	70887	70883	70884	70885	70886
Capacity	600 kg	1500 kg	3000 kg	1500 kg	3000 kg	600 kg	1500 kg	3000 kg	1500 kg	3000 kg
Resolution	100 g	500 g	1000 g	500 g	1000 g	100 g	500 g	1000 g	500 g	1000 g
Weighing units	g, kg, lb, oz									
Connectivity	RS 232-C, WiFi (optional)									
Transmission speed	9600, 19200, 38400, 57600, 115200 bauds									
Power	Adapter 230 V/50 Hz (Euro) 7.5 Vdc or via indicator									
Working temperature	-10°C / +40°C									
Sheet metal thickness	5 mm									
Structure	AISI 304 stainless steel					AISI 316 stainless steel				
Load cells	4 IP65 nickel-plated steel load cells									
Junction box	Hermetic with IP-68 protection, in AISI 304 stainless steel					Hermetic with IP-68 protection, in AISI 316 stainless steel				
Dim. weighing area (mm)	800 X 800	1200 x 1200	1500 x 1500		800 X 800	1200 x 1200	1500 x 1500			
Fold-in dimensions (mm)	843 X 986	1243 x 1386	1543 x 1686		843 X 986	1243 x 1386	1543 x 1686			
Dim. Open (mm)	1518 x 986	1918 x 1386	2218 x 1686		1518 x 986	1918 x 1386	2218 x 1686			
Height when folded (mm)	168 mm									
Open height (mm)	100 mm									
Platform net weight (kg)	75	171	235		75	171	235			
Packaging dim.	873 X 1016 x 372	1273 x 1416 x 372	1573 x 1716 x 372		873 X 1016 x 372	1273 x 1416 x 372	1573 x 1716 x 372			
Total weight with packaging (kg)	112	128	156		112	128	156			

**External dimensions (mm)**

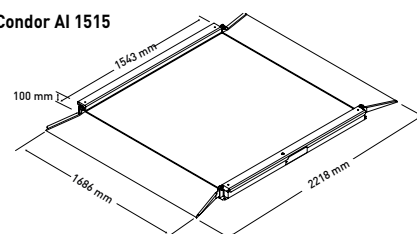
Xtrem Condor AI 8080



Xtrem Condor AI 1212



Xtrem Condor AI 1515





## ► K3 INDICATOR

Compatible **XTREM**

Ref.	Model	Connection
6170	K3-W	WiFi

Ref.	Model	Connection
6170	K3-X	Cable



## ► K3i INDICATOR

Compatible **XTREM**

Ref.	Model	Connection
6171	K3i-W	WiFi

Ref.	Model	Connection
6171	K3i-X	Cable



## ► K3i Printer INDICATOR (\*)

(\*) Indicator not compatible with Xtrem digital equipment  
Only compatible with analogue equipment.

Ref.	Model	Resolution
60960	K3i Printer	100,000 divisions



## ► SC2 INDICATOR (\*)

(\*) Indicator not compatible with Xtrem digital equipment  
Only compatible with analogue equipment.

Ref.	Model	Resolution
5305	SC2 (*)	30,000 divisions



## ► K4i INDICATOR (\*)

(\*) Indicator not compatible with Xtrem digital equipment  
Only compatible with analogue equipment.

Ref.	Model	Resolution
60136	K4i (*) <b>M</b>	30,000 / 60,000 div.



## ► K2 INDICATOR (\*)

(\*) Indicator not compatible with Xtrem digital equipment  
Only compatible with analogue equipment.

Ref.	Model	Resolution
60018	K2 (*) <b>M</b>	60,000 divisions



## ► K2E INDICATOR (\*)

(\*) Indicator not compatible with Xtrem digital equipment  
Only compatible with analogue equipment.

Ref.	Model	Resolution
60020	K2E (*) <b>M</b>	60,000 divisions



## ► K2N INDICATOR (\*)

(\*) Indicator not compatible with Xtrem digital equipment  
Only compatible with analogue equipment.

Ref.	Model	Resolution
60019	K2N (*) <b>M</b>	60,000 divisions



## ► K2P INDICATOR (\*)

(\*) Indicator not compatible with Xtrem digital equipment  
Only compatible with analogue equipment.

Ref.	Model	Resolution
60022	K2P (*) <b>M</b>	60,000 divisions



## ► VERIFICATION

Ref.	Certifications
8016	CE verification certificate from 301 kg to 600 kg (*) <b>M</b>
8031	CE verification certificate from 601 kg to 1500 kg (*) <b>M</b>
8032	CE verification certificate from 1501 kg to 3000 kg (*) <b>M</b>

Ref.	Certifications
8025	ISOCAL certificate from 301 kg to 600 kg
8029	ISOCAL certificate from 601 kg to 1500 kg
8030	ISOCAL certificate from 1501 kg to 3000 kg

**M** (\*) For verified units, "M" indicator and Verification certificate have to be included.

▶ INDICATOR OPTIONS

Ref.	Model
33799	WiFi Board
32330	3-relay output (K3, K3i)
60033	RS-232 (K2, SC2)
33772	RTC Board (K3, K3i)

▶ COLUMN BRACKETS / BASES

Ref.	Model
33207	ABS swivel base
3803	Stainless steel U tube base
32278	Stainless steel U wall support
31661	Wall support in painted steel with ABS swivel joint



Indicator not included.

Ref.	Model
3804	Painted steel base with column
3805	Stainless steel base with column
71337	Stainless steel base with K4i column

▶ CABLES

Ref.	Model
61084	Direct K USB cable
33205	RS-232 cable to RD3 or PC K, 1.5 m
3738	RS-232 cable to RD3 or PC K, 4 m
32294	RS-232 cable to K Printer
36767	RS-232 cable to PC (K2, SC2)
36766	RS-232 cable to Printer (K2, SC2)
36857	RS-232 cable to PC (K4i)
36858	RS-232 cable to Printer (K4i)



▶ SOFTWARE

Ref.	Model	RRP (€)
----	Xtrem iOS / Android APP	No Charges
----	Xtrem PC Software	No Charges



Ref.	Model	RRP (€)
3792	EX-Link software for PC (**)	No Charges



Ref.	Model
4877	PW-Link software for PC (***)



▶ PERIPHERALS

Ref.	Model
70814	Q2 labelling printer
70034	PR4 printer (RS-232)



Q2 labelling printer.

Ref.	Accessories for labelling printers
36904	Q2 70x58mm label roll



PR4 Printer.

Ref.	Model
5263	RD3 repeater indicator (RS-232)



Ref.	Model
60210	LED traffic light with relay board



▶ PLATFORM ACCESSORIES

Ref.	Model
36948	C3 cells nickel-plated steel IP67
36949	C3 cells stainless steel IP68
70801	C3 cells stainless steel IP69K
36950	C3 cells stainless steel IP69K Plus



C3 Cell

[\*\*] Compatible with Z3, K3, K3i, S2, S3-RS, S5i-RS.

[\*\*\*] Compatible with Z3, K3, K3i, K3i Printer, MK3, MK3 Printer, S2, S3, S5i, S7i.



DESIGNED  
IN EUROPE

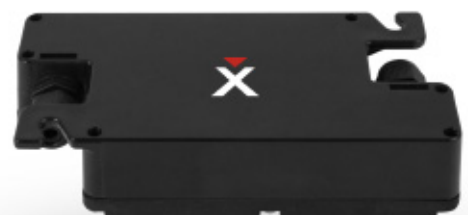


## The digital era of weighing is born

- Weighing system with the latest digital technology.
- Xtrem technology connects the weighing terminal to any Xtrem platform.

Complete balance autonomy: all weighing data is stored inside, while the terminals display the information only.

- Multi-indicator: The platform connects to any indicator or PC connected to the network.
- Interchangeable indicators needing no adjustment: Quick replacement without interruptions.
- Total flexibility: data sent by cable or WiFi\*.
  - Connects to WiFi network\*, with the data sent to any equipment connected to it or to any other IP network.
  - Configurable autozero, for weighing tanks and silos.
  - PC connection via cable or WiFi.
  - Very high resolution with Xtrem S\*\*.



Time	Item
09:07:46	7638900295641
12:10:26	7638900295641

\*Optional.

\*\*High resolution sensors.



**Multi-Equipment**

The K3X, K3iX, MK3 and MK3P indicators can be connected via the connection cable, or a PC with the Xtrem PC application. Also, at the same time as the Wifi option, the K3W, K3iW indicators, a PC with Xtrem\* PC software and the Xtrem app (for IOS or Android) can also be connected wirelessly in a touch terminal. All terminals can interact simultaneously with the platform.

Router connection via the WiFi option. Can be connected to any equipment on the network and from anywhere (depending on the network and router configuration). This connection is independent of the direct cable or WiFi connection.



**Multi-Platform**

The compatible indicators and Xtrem applications for PC and mobile terminals can be connected to any Xtrem platform to obtain the data from each.

Model	XTREM	XTREM-S
Digital analogue converter	20-bit A/D converter	24-bit A/D converter
Internal resolution	500,000 divisions	2,000,000 divisions
External resolution	50,000 divisions	200,000 divisions
Weight acquisition rate (samples per second)	12	50
Linearity error	< 0.0001%	
Working temperature range	-10°C to 40°C	
Digital filter	5 options, user configurable	
Filter for animal weighing	Included	
Multi-range	Up to 2 ranges	
Multi-step	Up to 2 steps	
Weighing units	g, kg, lb, oz	
Extended resolution mode	x10	
Part counting mode	Included	
S-232	Configurable speed 9600, 19200, 38400, 57600, 115200 bauds	
WiFi	Optional (reference 33799)	
Power	6- 8.5 Vdc, 1000 mA (max)	
Standard Power Supply	Through the K3X indicator connection cable	
Optional Power Supply (ref. 33809)	AC/DC adapter 110-230 Vac / 50-60 Hz output at 7.5 Vdc	
Outer casing material	Polycarbonate	
Sealing	IP67	



DESIGNED  
IN EUROPE



## Smartphone or Tablet Indicator

- Via our app, you can record the weights with username, customer, date/time, product code and net, gross and tare weights.
- Send weight records via email, social networks and most of the IOS terminal and Android\* applications.
- Up to 4 IOS or Android terminals can be connected via our Xtrem app to the Xtrem balance.
- The application can be connected to any balance, if more than one is available.
- The product bar code can be scanned with the terminal camera\*.
- Has a Tare memory with a name database.
- View weight limits with partial and full screen.
- Export the results obtained\* to Excel.

### Bar code scanner

The bar code scanning feature uses the smartphone or tablet camera to add the product code to the records.

\* With options  
Premium activated.



Hold

→T←

Time

Item

09:07:46

7638900295641

12:10:26

7638900295641



**Tare memory with name**

Has a numerical tare entry, with name and value database for greater speed.



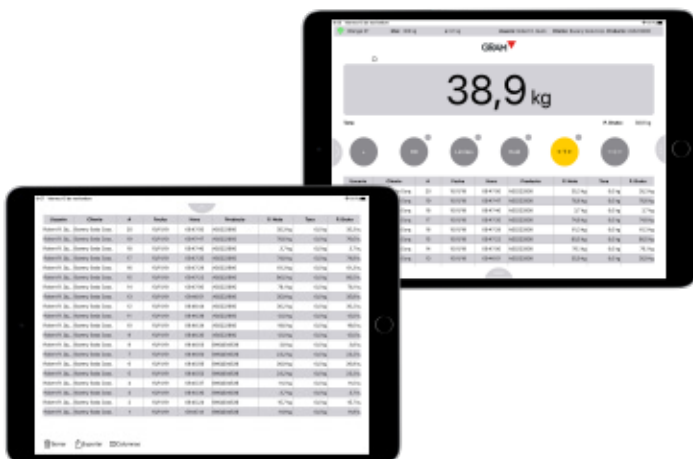
**Classification by weight**

Dedicated screen for weight limit control, so you can use the coloured arrows on the screen for weight selection.

**Exportable results**

Weighing data can be easily exported\* in csv format (Excel compatible) and sent as a message, copied, stored or sent via social networks (WhatsApp, Telegram, WeChat or any compatible application installed on the terminal).

\*With Premium options activated.



**High resolution**

When activated, a resolution 10 times higher is displayed.

**Instant memory**

Keeps the last weight determination on the display until another item is weighed. Very useful function if you do not want to store the entry and it has to be done manually.

Ref.	Model	RRP (€)
----	APP Xtrem iOS / Android	No Charges





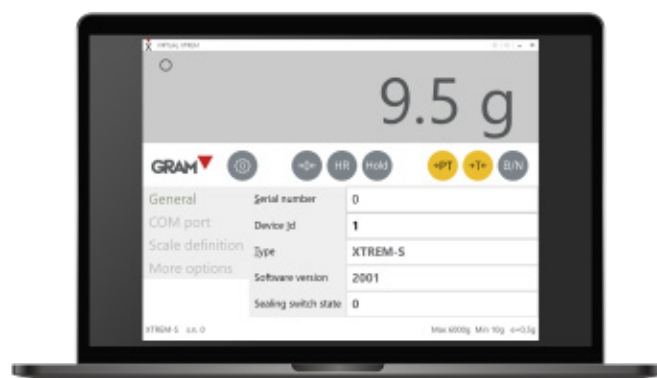


DESIGNED  
IN EUROPE



## Your PC as a smart indicator

- Our Xtrem PC application has a large reading display and all the functionalities of a traditional indicator. The size of the application is scalable: it can be made full screen or just a part of it, as necessary.
- Keeps the value shown on the display until another item is placed on the weighing platform.
  - Copies and pastes the weight, or drags it to another window.
  - Enter a tare value using the numeric keypad.
  - Allows configuration of the balance from the same application.
  - Shows several devices connected to the PC simultaneously, each in its own window.
  - 10 times higher resolution available on the display.
  - Weight data exported by QR code.



→PT

→T←

B/N



**Drag and paste**

Drag the indicated value to the window of another application, or perform this operation via the copy and paste function.



**Instant memory**

Keeps the last weight determination on the display until another item is weighed. Very useful function if no printed record is available and it has to be done manually.

**Generates QR codes**

Exports the weight data via a QR code, which can be scanned to be entered in another application of the same or other equipment.



**High resolution**

A 10 times higher resolution is available at the press of a button.

Ref.	Model	RRP (€)
----	Software Xtrem PC	No Charges



DESIGNED  
IN EUROPE



## Cable and cable-free indicators

- Digital connection with and without cable with Xtrem platforms.
- WiFi for a wireless connection (K3W, K3iW).
- Digital cable, free from interference (K3X, K3iX).
- Up to 4 WiFi indicators connected to the same balance (K3W, K3iW).
- Compatible with Gram Xtrem application for smartphone and tablet (K3W, K3iW).
- Interchangeable with any Xtrem scale.

### Functions

- 100-article memory with alphanumeric code.
- Classification or check by weight with display in 2 bright colours.
- Part counting function with unit weight memory of 100 items.
- 2 Autohold levels to keep the display reading once the object is removed.
- Dispensing of a product at two speeds, with optional relay board.
- Accumulation of weights with totalling.
- High resolution, shows 10 times the standard resolution.
- Automatic, normal or fixed tare.
- Memory of 20 pre-set tares.
- Ticket printing (with optional printer)

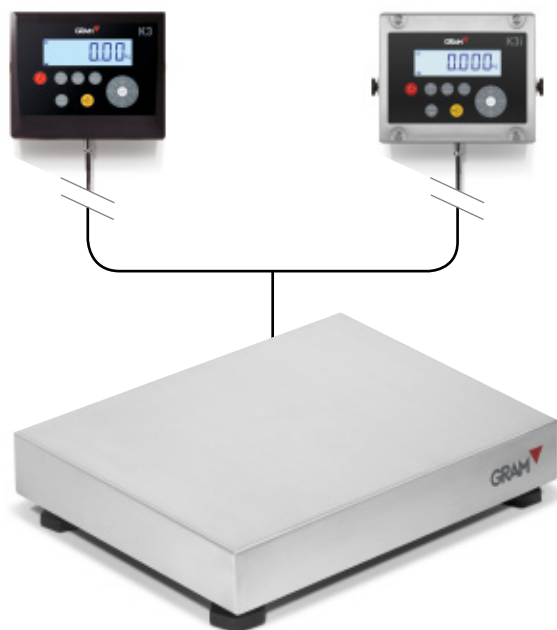


**Indicators with WiFi connection**

The digital models WiFi K3W and K3iW (stainless steel version) receive the data from the scale through the Xtrem module integrated via WiFi, without cables. These can be exchanged, thanks to the Xtrem digital weighing technology. Maximum coverage of up to 40 metres in areas without obstacles (this range may be smaller, depending on the environmental conditions and area of use).

Up to 4 x K3iW and K3W units can be connected to the same balance, with all units being fully operational and able to work simultaneously.

The K3iW model is manufactured with a highly resistant AISI304 stainless steel structure.



**Indicators connected by cable**

The K3X and K3iX digital displays (stainless steel version) show the data received by the balance through the Xtrem module, via the connection cable. These are interchangeable, thanks to their Xtrem digital technology.

The cable connection is also compatible with the Xtrem platform WiFi option. This way, you can have a K3X or K3iX indicator connected by cable, and another K3W and/or K3iW model indicators connected by WiFi, with all displaying the weight value at the same time and with all their functions operational. You can also connect Android or IOS smartphone terminals with our Xtrem app software to control the platform from these devices, in conjunction with other classical indicators.

The K3iX model has a highly resistant AISI304 stainless steel structure.

Model	K3X	K3iX	K3W	K3iW
Reference	71423	71641	71593	71642
Display	6 digit, 25mm high, backlit LCD			
Xtrem connectivity	RS232C		WiFi	
Material	ABS	AISI304 stainless steel	ABS	AISI304 stainless steel
Sealing protection	IP-65			
Power	230 V / 50 Hz (Euro) 11 V			
Battery life	30 / 60 hours		20 / 40 hours	
Working temperature	- 10°C / +40°C			
External dimensions (mm)	220 x 182 x 86	225 x 190 x 94	220 x 182 x 86	225 x 190 x 94
Total net weight (kg)	1.5	2.5	1.5	2.5
Packaging dimensions (mm)	325x235x165			
Total weight with packaging (kg)	2.3	3.3	2.3	3.3
RRP (€)	---	---	---	---



**Connection to our printers**

Print 3 ticket start lines and 1 end line, including our Z3 THS software for data entry from PC.

Our Q2 labeller prints the data on adhesive label or ticket format.

**Large remote indicator**

Our cable-connected RD3 remote indicator shows you the heavy weight value at a great distance.



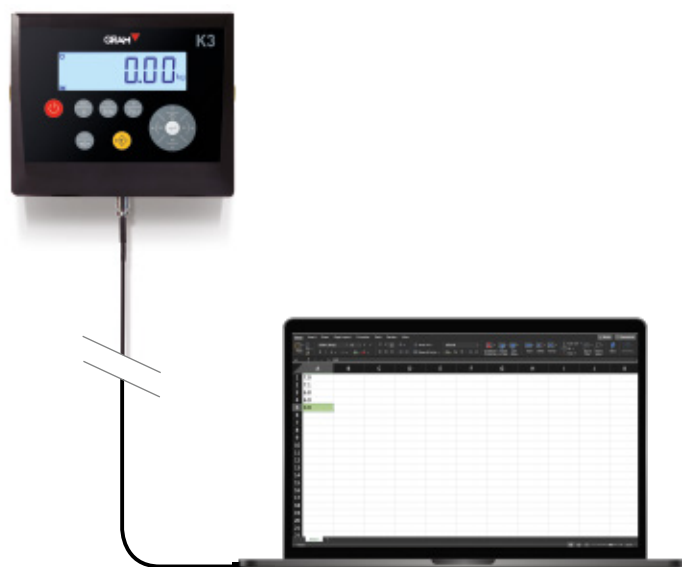
**Weight check**

The viewfinder changes colour indicating whether the weight is above (red), below (red) or within (green) the established range.

**USB Direct, connectivity without PC software.**

Using our direct cable between the indicator and your PC, the weighing data will appear in any application or document you have open. No intermediate software or installation; simple and effective.

At the same time, using the WiFi option installed in the platform's Xtrem module, it can be accessed by any of the K3W, K3iW or the Xtrem app for Android or IOS terminals.



▶ INDICATOR OPTIONS

Ref.	Model	RRP (€)
33799	WiFi Board	
32330	3-relay output (K3, K3i)	90.00
60033	RS-232 (K2, SC2)	48.00
33772	RTC Board (K3, K3i)	20.00

▶ COLUMN BRACKETS / BASES

Ref.	Model	RRP (€)
33207	ABS swivel base	12.00
3803	Stainless steel U tube base	30.00
32278	Stainless steel U wall support	25.00
31661	Wall support in painted steel with ABS swivel joint	35.00



Ref.	Model	RRP (€)
3804	Painted steel base with column	90.00
3805	Stainless steel base with column	290.00
71337	Stainless steel base with K4i column	110.00



Indicator not included.

▶ PERIPHERALS

Ref.	Model	RRP (€)
70814	Q2 labelling printer	190.00
70034	PR4 printer (RS-232)	150.00



Ref.	Accessories for labelling printers	RRP (€)
36904	Q2 70x58mm label roll	12.00



Ref.	Model	RRP (€)
5263	RD3 repeater indicator (RS-232)	140.00



Ref.	Model	RRP (€)
60210	LED traffic light with relay board	160.00



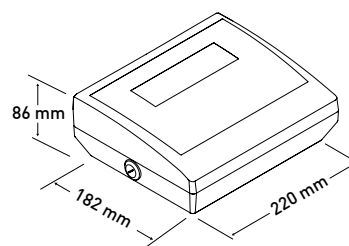
▶ CABLES

Ref.	Model	RRP (€)
61084	Direct K USB cable	48.00
33205	RS-232 cable to RD3 or PC K, 1.5 m	44.00
3738	RS-232 cable to RD3 or PC K, 4 m	56.00
32294	RS-232 cable to K Printer	44.00

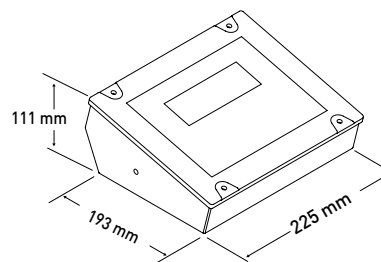


External dimensions (mm)

K3  
K3W



K3i  
K3iW



▶ SOFTWARE

Ref.	Model	RRP (€)
3792	EX-Link software for PC (**)	No Charges



Ref.	Model	RRP (€)
4877	PW-Link software for PC (***)	140.00

