

series **C5**



# C5 series. Resistance and reliability.

- Light crane scale.
- LCD Display of red 30 mm LED's
- Aluminium housing.
- Waterproof keyboard.
- Very resistant anchors.
- Weighs in kilos and pounds.
- Auto power-off.
- Hold function.
- Weighing accumulation.

### Technical characteristics

Model	C5-1T	C5-3T	C5-5T	C5-10T
Reference	60915	60206	60207	60208
Capacity	1000 kg	3000 kg	5000 kg	10000 kg
Readability	0,2 kg	1 kg	2 kg	5 kg
Weight units	kilos and pounds			
Display	red LED'S 30 mm.			
Tare range	100%			
Zero range	4% FS			
Structure	iron foundry			
Hook angle (mm)	35		50	55
Hook size (mm)	220	220	270	320
External size (mm)	520x180x185	520x180x185	600x210x185	700x220x185
Total net weight (kg)	15	15	17	21

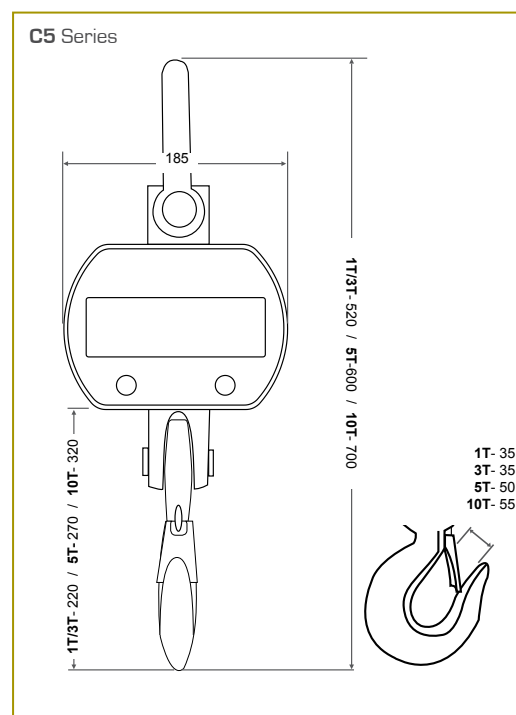
### Rechargeable battery

Rear compartment for the rechargeable battery 6V DC.

### Technical specifications

Power:: 3DC - 6V, rechargeable battery  
 Operating temperature: -0°C / +40°C

### External dimensions (mm)



1T- 35  
 3T- 35  
 5T- 50  
 10T- 55