

## Totalizer

with resettable total and non-resettable accumulated total



The F-Series is your first and safest choice for field mount indicators in safe and hazardous area applications. Especially in harsh weather conditions like rain, snow, salty atmospheres and temperatures between -40°C up to +80°C (-40°F up to 176°F).

### Advantages

- Robust aluminum or stainless steel 316L field enclosure (IP67 / NEMA Type4X). It is so rugged, a truck can even stand on it!
- Intrinsically Safe available - ATEX, IECEx, FM and CSA approval for gas and dust applications.
- Programming can be done by your own crew, with the sensible menu-driven structure, saving cost and irritation. Know one, know them all!
- Very diverse mounting possibilities: walls, pipes, panels or directly onto outdoor sensors!

### Features

- Displays running total and accumulated total simultaneously.
- Large 17mm (0.67") digits for resettable total and 8mm (0.31") for non resettable accumulated total.
- Easy configuration with alphanumeric display and descriptions.
- LED backlight option.
- Selectable on-screen engineering units for volumetric or mass.
- Ability to process all types of signals: Sine wave (coil), NAMUR, NPN/PNP pulse, Reed-switch, Active pulse signals, (O)4-20mA.
- Power requirements: Input loop powered, battery powered or 8 - 30V DC, 24V AC/DC and 115 - 230V AC.
- Sensor supply: 3.2 / 8.2 / 12 / 24V DC.
- Auto backup of settings and running totals.
- Explosion/flame proof available.

## Introduction

The F011 is a local indicator to display the running total and accumulated total. Total can be reset to zero by pressing the CLEAR button twice. A nonresettable accumulated total is available with eleven digits. The measuring unit to be displayed is simply selected through an alfa-numerical configuration menu. No adhesive labels have to be put on the outside of the enclosure: a weather proof and userfriendly solution! A wide selection of options further enhances the capabilities of this model, including Intrinsic Safety for hazardous area applications.

## Display

The display has large 17mm (0.67") and 8mm (0.31") digits show both totals simultaneously. Both totalizers are backed-up in EEPROM memory every minute. As the F011 has been designed for field mounted applications, a smart display update function has been incorporated. Related to the lower temperatures, the update frequency of the LCD is tuned automatically to achieve a readable display even at -40°C / -40°F.

## Configuration

All configuration settings are accessed via a simple operator menu which can be password protected. Each setting is clearly indicated with an alphanumerical description, which avoids confusing abbreviations and baffling codes. Once familiar with one F-series product, you will be able to program all models in the series without a manual. All settings are safely stored in EEPROM memory in the event of sudden power failure.

## Hazardous area

For hazardous area applications, this model is ATEX, IECEx, FM and CSA certified as Intrinsically Safe for gas and dust applications, with an allowed ambient temperature of -40°C to +70°C (-40°F to +158°F). A flame proof Ex d enclosure with ATEX certification is also available.



## Backlight

For those applications where readability during day and night is an issue, a white backlight is available. The intensity can be adjusted from the keyboard. The display is a transfective type, which means that a high contrast reading is guaranteed in full sunlight as well as during the night. This backlight option is also available Intrinsically Safe.

## Power requirements

Several power supply options are available to power the F011 and sensor. Most popular is our battery powered FM version with a long life lithium battery which will last up to five years. For analog sensors, a 4 - 20mA loop powered version is available as well. A real sensor supply is offered with the 24V AC/DC or 115 - 230V AC power requirement options.



All info at a glance



Easy to install



Easy to program



Know one know them all!



Reliable



User-friendly

### Overview application F011

The F-Series is your first and safest choice for field mount indicators in safe and hazardous area applications. Especially in harsh weather conditions like rain, snow, salty atmospheres and temperatures between -40°C up to +80°C (-40°F up to 176°F). Flow measurement where a local totalizer function is required without flow rate or re-transmission functionality. Alternative advanced models: F012 - F013 - F014 - F016 or even more advanced F110 and higher or the D-Series DIN panel mount flow rate indicators.



### Signal input

The F011 accepts most pulse and analog input signals for volumetric flow or mass flow measurement. The input signal type can be selected by the user in the configuration menu without having to adjust any sensitive mechanical dip-switches, jumpers or trimmers. The analog input is available with linear and square root calculation and even as 4 - 20mA input loop powered.

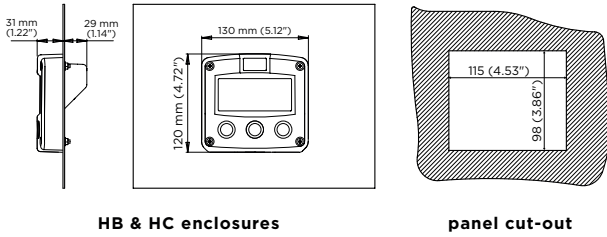
Type of signal	Resistance	Low Pass filter (LP)	Max. frequency	Max. frequency Low Pass filter (LP)	Min. amplitude p-p	Remark
NPN	100kΩ pull-up	100kΩ pull-up	6kHz Threshold 1.2V	1.2kHz		Open collector
REED	1MΩ pull-up	1MΩ pull-up	600Hz Threshold 1.2V	120Hz		
PNP	47KΩ pull-down	100KΩ pull-down	6kHz Threshold 1.2V	1.2kHz		
NAMUR	820Ω pull-down	-	4kHz	-		External power required
COIL LO	-	-		-	90mV <sub>pp</sub>	Default sensitivity
COIL-HI					20mV <sub>pp</sub>	Sensitive for interference!
COIL-HI (Type ZF)	-	-	-	-	10mV <sub>pp</sub>	
COIL-HI (Type ZG)					5mV <sub>pp</sub>	
ACTIVE 8.2V DC	3K9Ω		10kHz Threshold 4V			External power required
ACTIVE 12V DC	4KΩ		10kHz Threshold 6V			External power required
ACTIVE 24V DC	3KΩ		10kHz Threshold 12V			External power required

## Enclosures

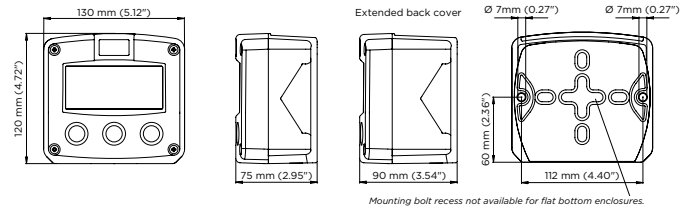
Various types of enclosures can be selected, all ATEX, IECEx, FM and CSA approved. The F011 is supplied in an GRP panel mount enclosure as standard, which can be converted to an IP67 / NEMA Type4X GRP field mount enclosure by the addition of a back case. Most popular is our robust aluminum field mount enclosure which is also available with an extended backcover with undrilled preparation for direct meter mounting at the back side. It is so rugged, even a truck can stand on it! For the most challenging environments we have a durable high grade Stainless steel 316L enclosure. All enclosures have a IP67 / NEMA Type4X rating and EU or U.S. cable gland entry threads available.

## Dimensions enclosures

### Aluminum & GRP panel mount enclosure

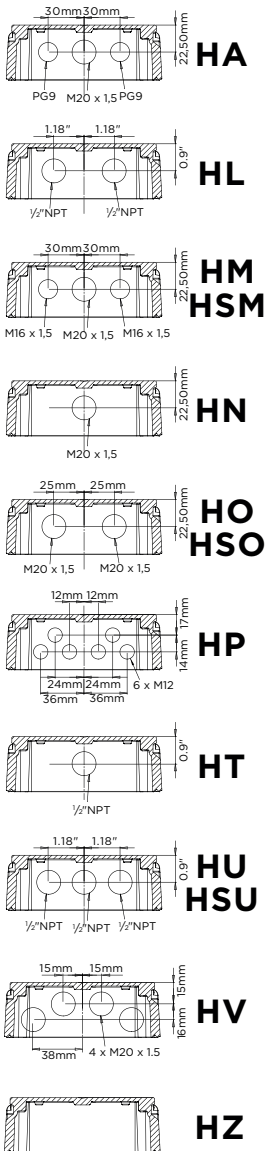


### Aluminum, GRP & Stainless steel 316L field mount enclosures

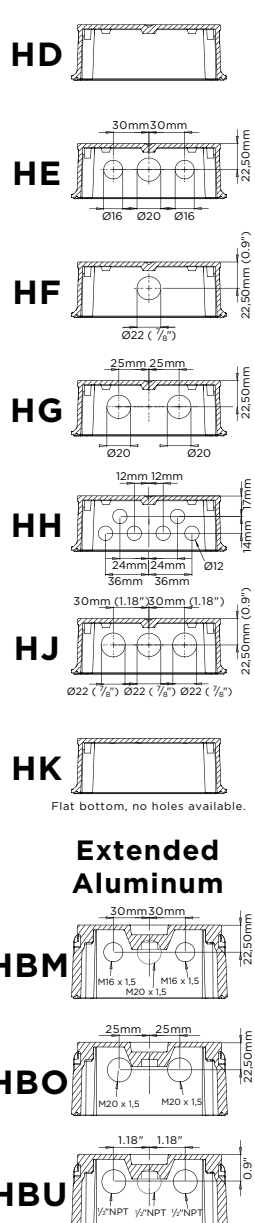


### Cable entries

## Aluminum / Stainless Steel

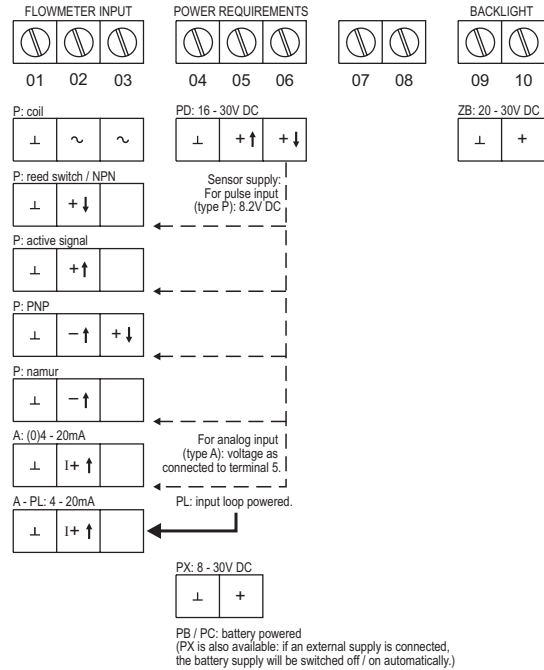


## GRP

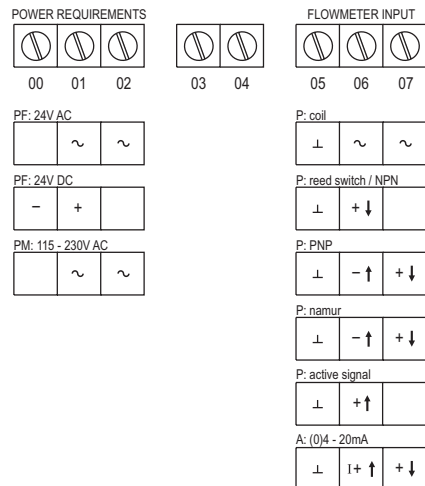


## Extended Aluminum

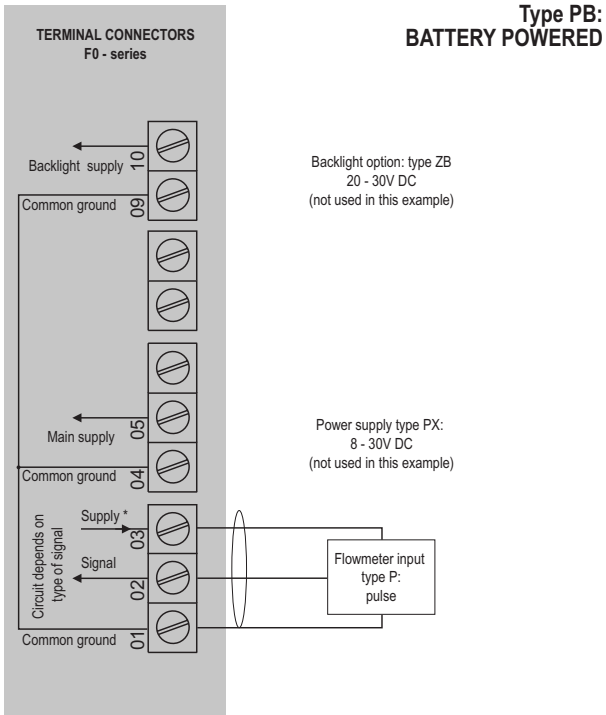
## Terminal connections PB/PC - PD - PL - PX



## Terminal connections PF - PM



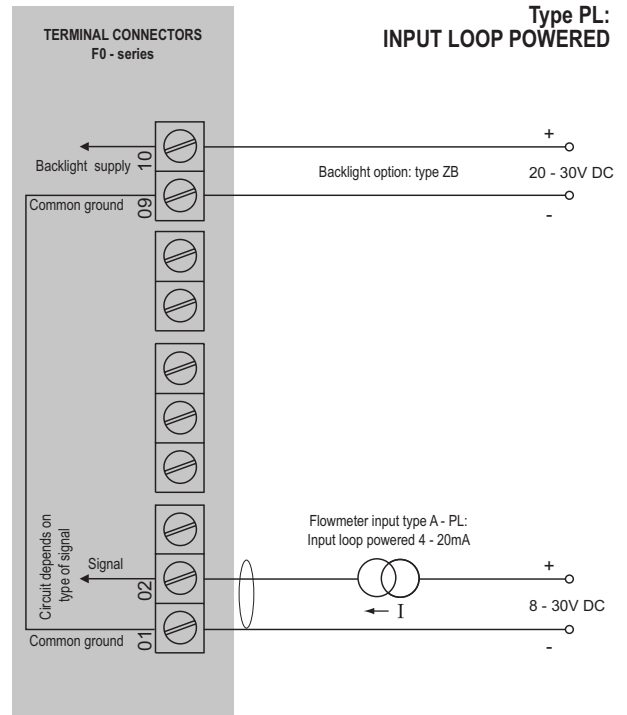
Configuration example F011-P-PB-(PX)-XX-(ZB)



\* Sensor supply voltage for pulse flowmeter type P:  
Terminal 3: 1.2 - 3.2V DC.

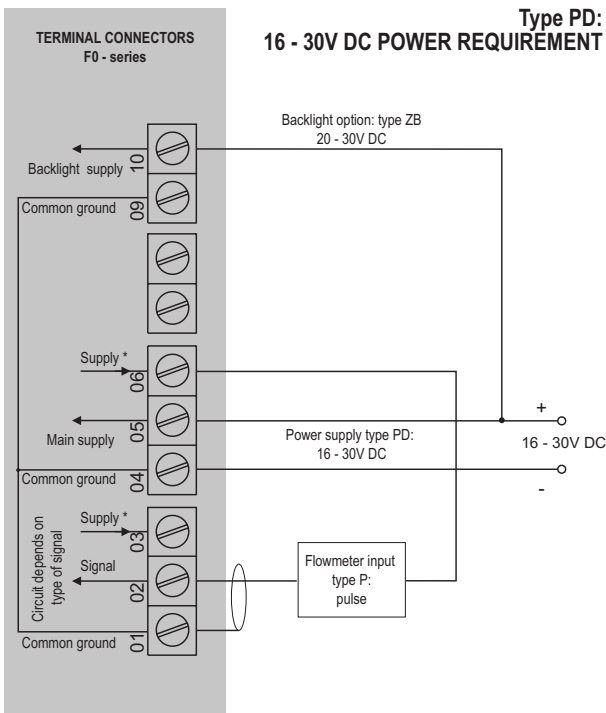
\* Sensor supply voltage for analog flowmeter type A:  
Terminal 3: not available.

Configuration example F011-A-PL-XX-ZB



Sensor supply: sensor is externally powered.

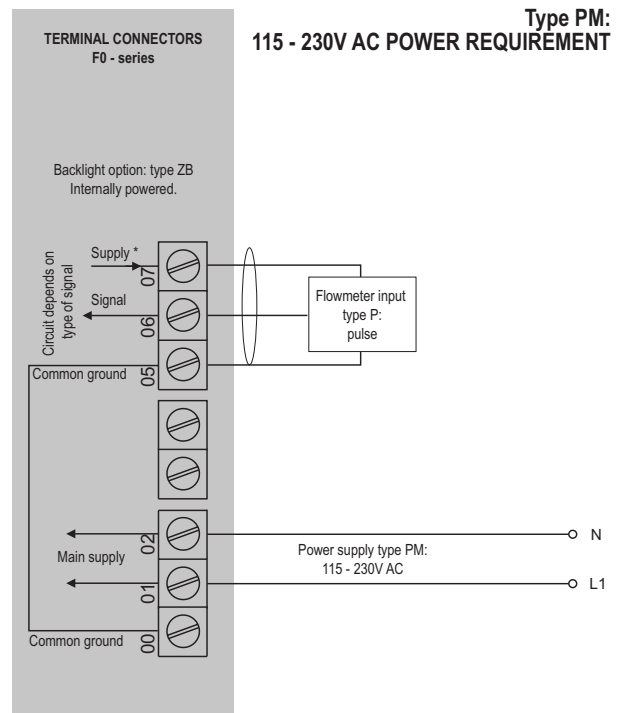
Configuration example F011-P-PD-XX-ZB



\* Sensor supply voltage for pulse flowmeter type P:  
Terminal 3: 1.2 - 3.2V DC. Terminal 6 with type PD: 8.2V DC.

\* Sensor supply voltage for analog flowmeter type A:  
Terminal 3: not available.  
Terminal 6 with type PD: voltage as connected to terminal 5 (internally linked).

Configuration example F011-P-PM-XX-ZB



\* Sensor supply voltage for pulse flowmeter type P:  
Terminal 7: 1.2 - 3.2 - 8.2 - 12 - 24V DC.

\* Sensor supply voltage for analog flowmeter type A:  
Terminal 7: 8.2 - 12 - 24V DC.

## Hazardous area applications

The F011-XI has been certified according to ATEX and IECEx by KEMA and according to CSA c-us and FM for use in Intrinsically Safe applications with an ambient temperature of -40°C to +70°C (-40°F to +158°F).

- The ATEX markings for gas and dust applications are:

Gas: **II 1 G Ex ia IIC T4 Ga.**

Dust: **II 1 D Ex ia IIIC T100 °C Da.**

- The IECEx markings for gas and dust applications are:

Gas: **Ex ia IIC T4 Ga**

Dust: **Ex ia IIIC T100 °C Da.**

- The CSA c-us markings are:

**IS Class I/II/III, Division 1, Groups A to G T4.**

**Class 1 Zone 0 AEx ia IIC T4 Ga.**

**Ex ia IIC T4 Ga.**

- The FM markings are:

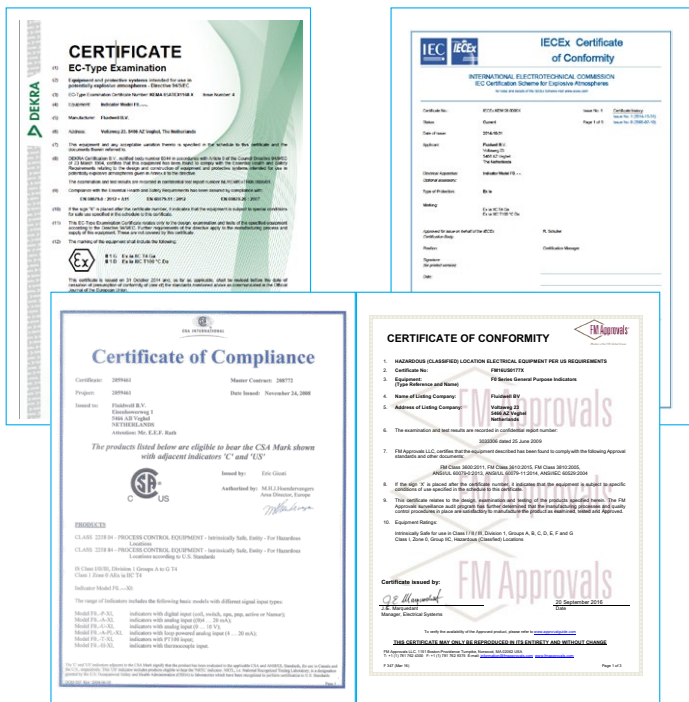
**IS, Class I, II, III, Division 1, Groups A to G T4.**

**Class 1, Zone 0, AEx ia IIC T4**

It is allowed to connect up to three I.S. power supplies to power the unit, sensor and backlight. Consult the certificate for the maximum input and output values of the circuits. The F011-PD-XI offers a 8.2V DC sensor supply to power e.g. a Namur sensor or the input voltage to power an analog sensor. An ATEX approved flame proof Ex d enclosure is available as well. Please contact your supplier for further details.

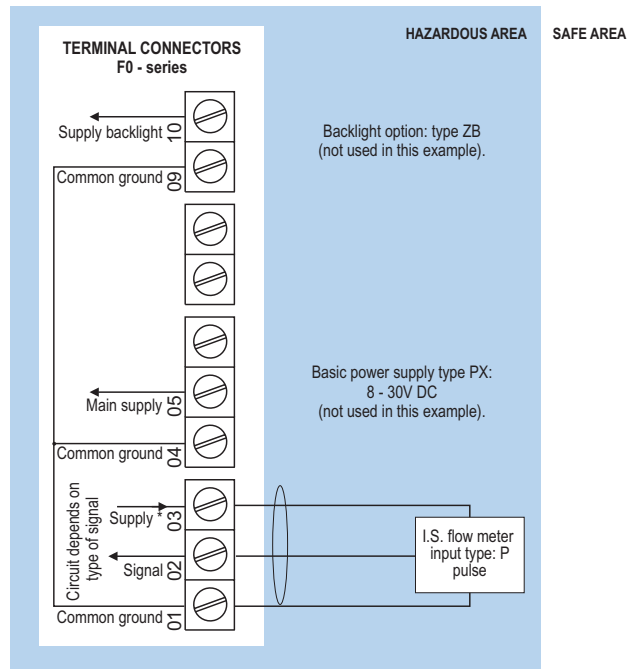
### Certificate of conformity KEMA 05ATEX1168 X

- IECEx KEM 08.0006X • CSA.08.2059461 X



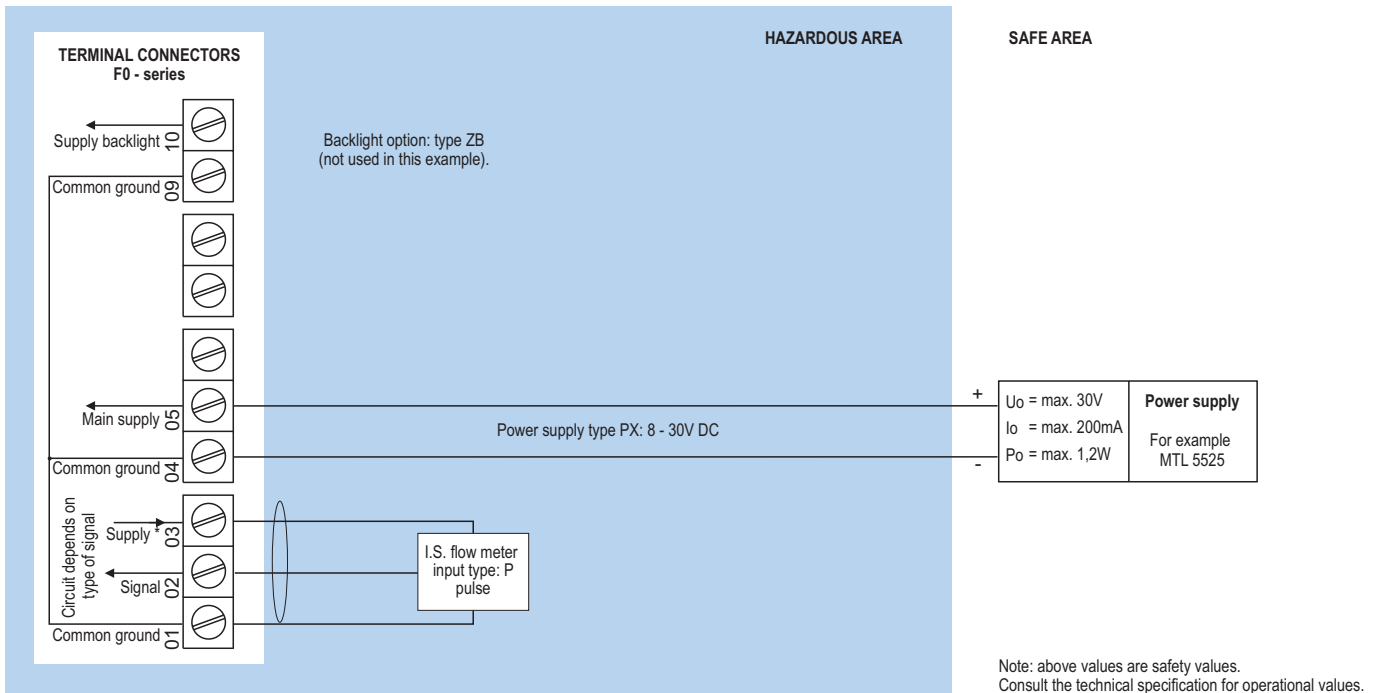
### Configuration example IIA - IIIB and IIC

#### F011-P-PC-(PX)-XI-(ZB) - Battery powered unit



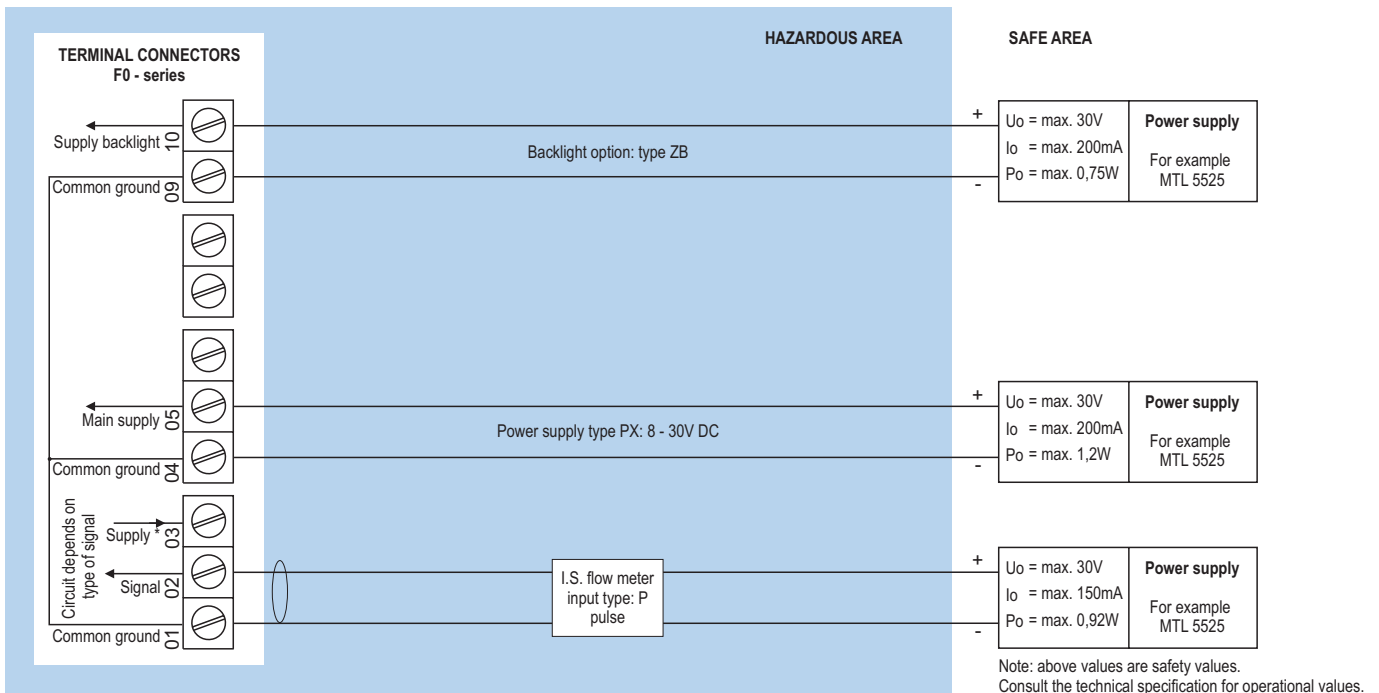
\* Sensor supply voltage for pulse flow meter type P : Terminal 3: 1.2 - 3.2V DC. Please note: type PX may be used in combination with the battery (type PC). PX will power the unit; the battery will be disabled automatically till power is disconnected.

Configuration example IIA - IIB and IIC - F011-P-PX-XI-(ZB) - Basic power requirement 8 - 30V DC



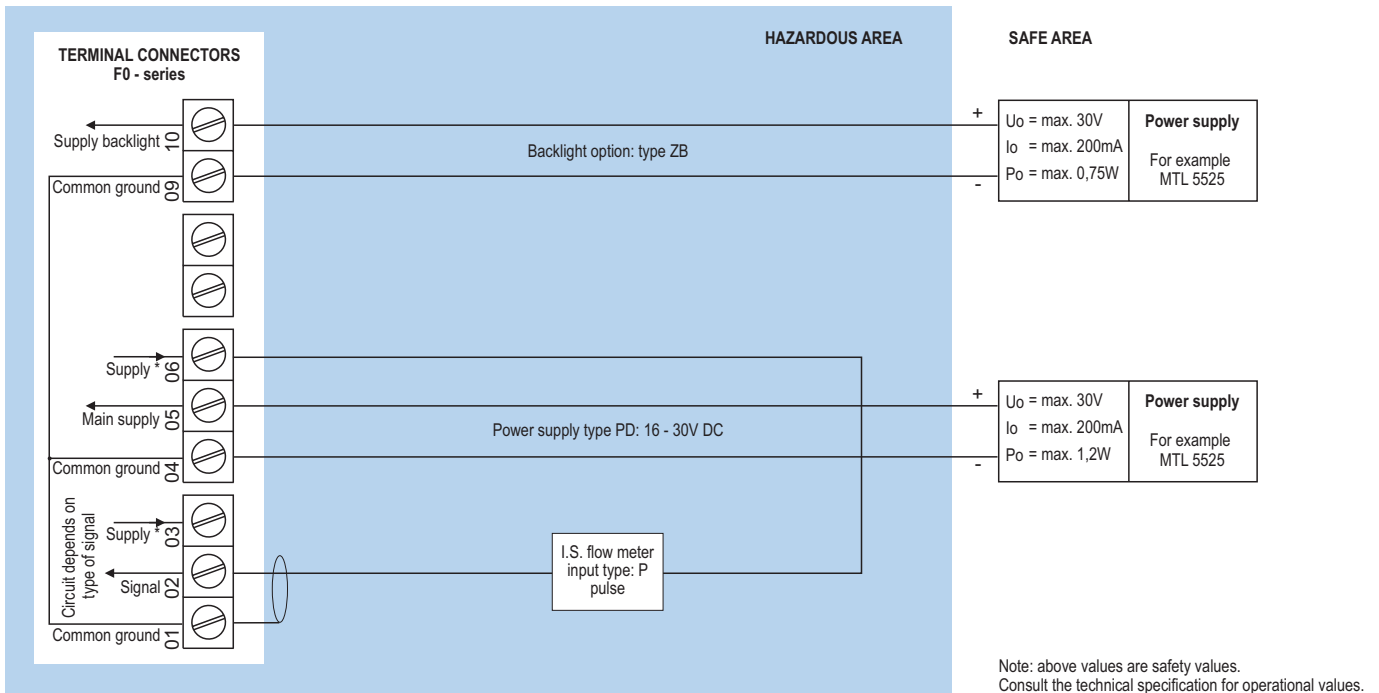
\* Sensor supply voltage for pulse type P: Terminal 3: 1.2V - 3.2V DC.  
Please note: type PX may be used in combination with the battery (type PC). PX will power the unit; the battery will be disabled automatically till power is disconnected.

Configuration example IIA - IIB and IIC - F011-P-PX-XI-ZB - Basic power requirement 8 - 30V DC



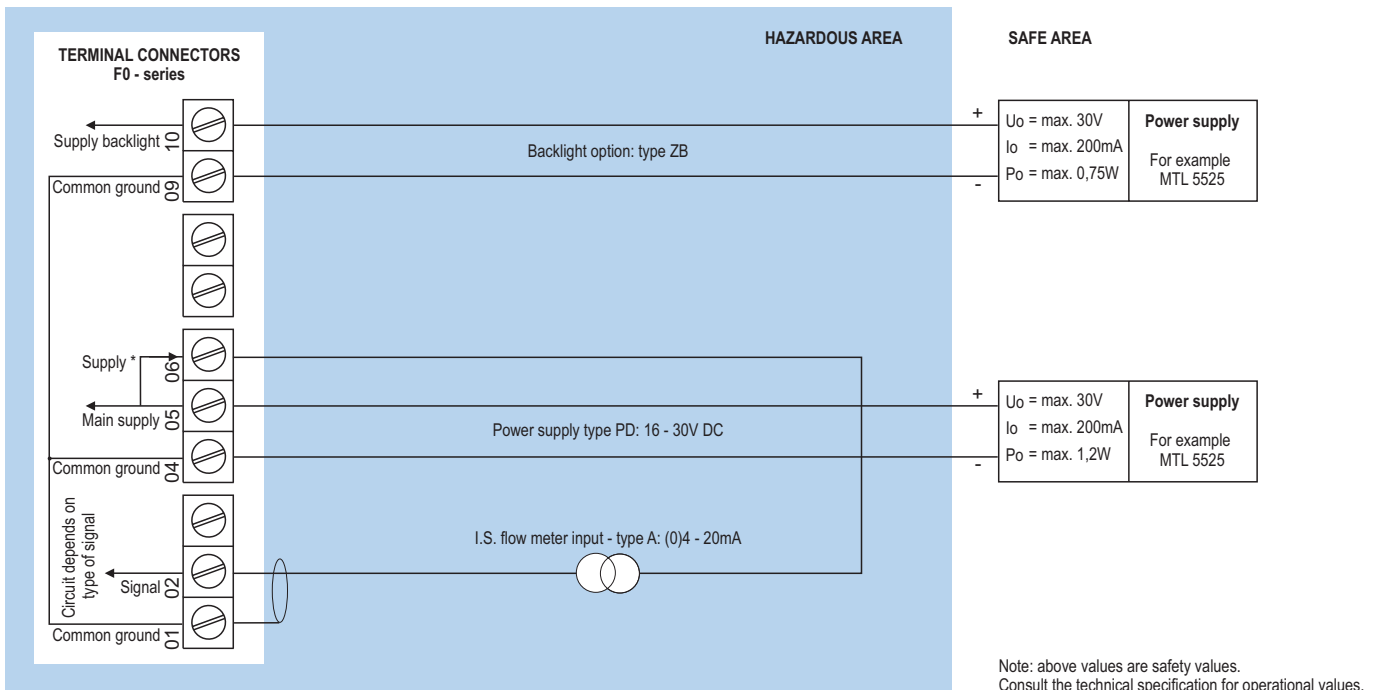
\* Sensor supply voltage for pulse type P: Terminal 3: 1.2V - 3.2V DC.  
Please note: type PX may be used in combination with the battery (type PC). PX will power the unit; the battery will be disabled automatically till power is disconnected.

Configuration example IIA - IIB and IIC - F011-P-PD-XI-ZB - Power requirement 16 - 30V DC



\* Sensor supply voltage for pulse type P: Terminal 3: 1.2V - 3.2V DC. Terminal 6: 8.2V DC.  
Please note: type PD may be used in combination with the battery (type PC). PD will power the unit; the battery will be disabled automatically till power is disconnected.

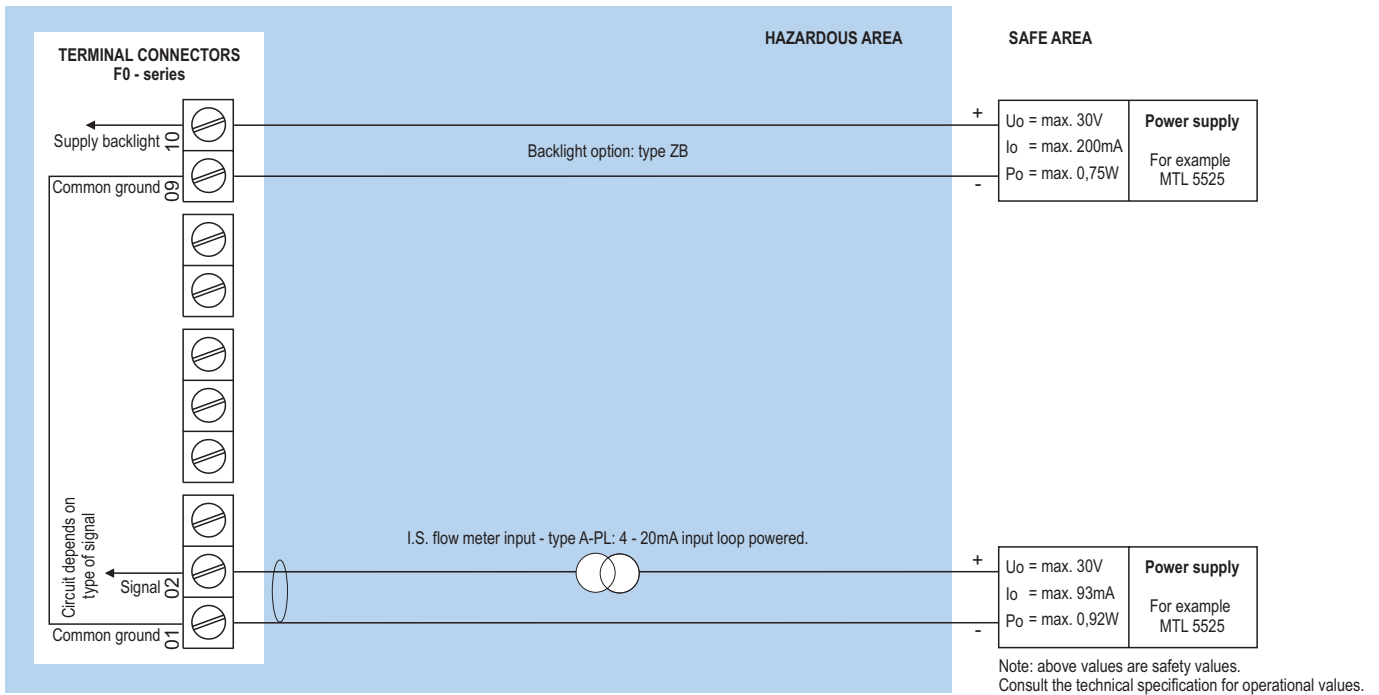
Configuration example IIA - IIB and IIC - F011-A-PD-XI-ZB - Power requirement 16 - 30V DC



\* Sensor supply voltage for analog flow meter type A: Terminal 6: as input voltage terminal 5 (internally linked).  
Please note: type PD may be used in combination with the battery (type PC). PD will power the unit; the battery will be disabled automatically till power is disconnected.

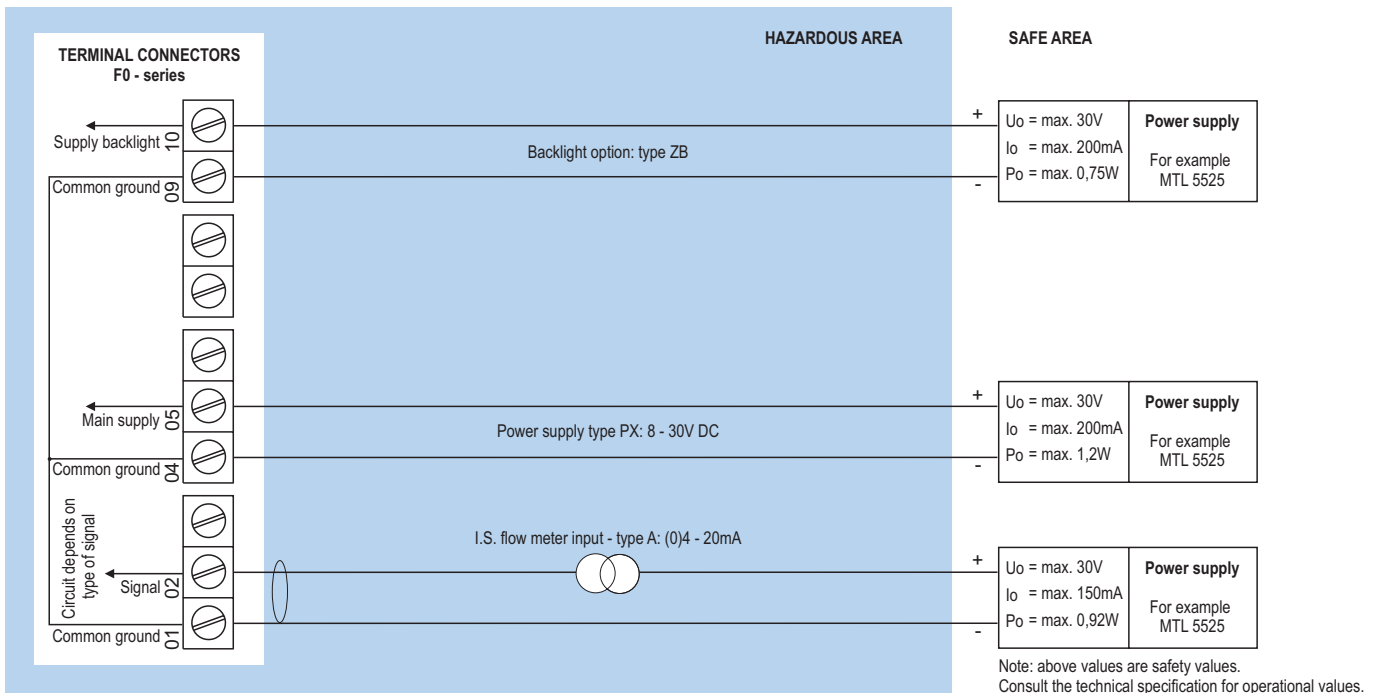


Configuration example IIA - IIB and IIC - F011-A-PL-XI-ZB - Input loop powered



Sensor supply is not available: unit is input loop powered (type PL).  
Please note: type PL may be used in combination with the battery (type PC). PL will power the unit; the battery will be disabled automatically till power is disconnected.

Configuration example IIA - IIB and IIC - F011-A-PX-XI-ZB - Basic power requirement 8 - 30V DC



\* Sensor supply voltage for analog flow meter type A / U: not available in this example.  
Please note: type PX may be used in combination with the battery (type PC). PX will power the unit; the battery will be disabled automatically till power is disconnected.

## Display

<b>Type</b>	High intensity reflective numeric and alphanumeric LCD, UV-resistant.
<b>Dimensions</b>	90 x 40mm (3.5" x 1.6").
<b>Digits</b>	Seven 17mm (0.67") and eleven 8mm (0.31") digits. Various symbols and measuring units.
<b>Refresh rate</b>	User definable: fast, 1sec, 3sec, 15sec, 30sec, off.
<b>Option ZB</b>	Transflective LCD with white LED-backlight. Intensity can be adjusted in the configuration menu. Good readings in full sunlight and darkness. Also available Intrinsically Safe.

## Ambient temperature

<b>Safe areas</b>	-40°C to +80°C (-40°F to +176°F).
<b>Intrinsically Safe</b>	-40°C to +70°C (-40°F to +158°F).

## Power requirements

<b>Type PB</b>	Long life Lithium battery - life-time depends upon settings and configuration - up to 5 years. (requires PD, PL or PX)
<b>Type PC</b>	Intrinsically Safe long life lithium battery life-time depends upon settings and configuration - up to 5 years. (requires XI and PD, PL or PX)
<b>Type PD</b>	16 - 30V DC. power consumption max. 1W.
<b>Type PF</b>	24V AC / DC ± 10%. Power consumption max. 15W.
<b>Type PL</b>	Input loop powered from sensor signal 4 - 20mA (type "A").
<b>Type PM</b>	115 - 230V AC ± 10%. Power consumption max. 15W.
<b>Type PX</b>	8 - 30V DC. Power consumption max. 0.3W.
<b>Type ZB</b>	20 - 30V DC ± 10%. Power consumption max. 1W. With type PF / PM: internally powered.
<b>Note PB/PF/PM</b>	Not available Intrinsically Safe.
<b>Note PF/PM</b>	The total consumption of the sensor and backlight type ZB may not exceed 400mA @ 24V DC.
<b>Note XI</b>	For Intrinsically Safe applications, consult the safety values in the certificate.

## Sensor excitation

<b>Type PB/PC/PX</b>	3.2V DC for pulse signals and 1.2V DC for coil pick-up.
<b>Note PB/PC/PX</b>	This is not a real sensor supply. Only suitable for sensors with a very low power consumption like coils (sine wave) and reed-switches.
<b>Type PD</b>	For pulse signals: 1.2 / 3.2 / 8.2V DC - max. 5mA@8.2V DC. For analog signals, the sensor supply voltage is according to the power supply voltage connected.
<b>Type PF / PM</b>	With pulse input: 1.2 / 3.2 / 8.2 / 12 / 24V DC - max. 400mA @ 24V DC. With analog input: 8.2 / 12 / 24V DC - max. 400mA @ 24V DC.

## Terminal connections

<b>Type</b>	Removable plug-in terminal strip. Wire max. 1.5mm <sup>2</sup> and 2.5mm <sup>2</sup>
-------------	--

## Data protection

<b>Type</b>	EEPROM backup of all settings. Backup of running totals every minute. Data retention at least 10 years.
<b>Password</b>	Configuration settings can be password protected.

## Directives & Standards

<b>EMC</b>	Directive 2014/30/EU, FCC 47 CFR part 15.
<b>Low voltage</b>	Directive 2014/35/EU
<b>RoHS</b>	Directive 2011/65/EU
<b>ATEX / IECEx</b>	Directive 2014/34/EU, IEC 600079-0, IEC 60079-11. IP & NEMA EN 60529 & NEMA 250
<b>FM</b>	FM Class No. 3600, FM Class No. 3610.
<b>CSA</b>	CSA 22.2 No. 157-92.
<b>IP &amp; NEMA</b>	EN 60529 & NEMA 250.

## Intrinsically Safe (Type XI)

<b>ATEX</b>	Gas: II 1 G Ex ia IIC T4 Ga. Dust: II 1 D Ex ia IIIC T100 °C Da.
<b>IECEx</b>	Gas: Ex ia IIC T4 Ga. Dust: Ex ia IIIC T100 °C Da.
<b>CSA c-us</b>	IS Class I/II/III, Division 1, Groups A to G T4. Class 1 Zone 0 AEx ia IIC T4 Ga. Ex ia IIC T4 Ga.
<b>FM</b>	IS, Class I, II, III, Division 1, Groups A to G T4. Class I, Zone 0, AEx ia IIC T4
<b>Ambient Ta</b>	-40°C to +70°C (-40°F to +158°F).

## Explosion proof (Type XF)

<b>ATEX</b>	II 2 G / Ex d IIB T5 Gb. II 2 D / Ex t IIIB T100 °C Db.
<b>Type XF</b>	Dimensions of enclosure: 300 x 250 x 200mm (11.8" x 9.9" x 7.9") L x H x D.
<b>Weight</b>	Appr. 15kg.
<b>Note XF</b>	IECEx available on request.

## Enclosure

<b>Window</b>	Polycarbonate window.
<b>Sealing</b>	Silicone.
<b>Control keys</b>	Three industrial micro-switch keys. UV-resistant silicone keypad.

## Panel mount enclosures

<b>Dimensions</b>	130 x 120 x 60mm (5.12" x 4.72" x 2.36") - W x H x D.
<b>Panel cut-out</b>	115 x 98mm (4.53" x 3.86") L x H.
<b>Type HB</b>	Die-cast aluminum panel mount enclosure IP65 / NEMA Type4X.
<b>Weight</b>	600 gr.
<b>Type HC</b>	GRP panel mount enclosure IP65 / NEMA Type4X, UV-resistant and flame retardant.
<b>Weight</b>	450 gr.

## GRP wall / field mount enclosures

<b>General</b>	GRP wall/field mount enclosure IP67 / NEMA Type4X, UV-resistant and flame retardant.
<b>Dimensions</b>	130 x 120 x 75mm (5.12" x 4.72" x 2.95") - W x H x D.
<b>Weight</b>	600 gr.
<b>Type HD</b>	Cable entry: no holes.
<b>Type HE</b>	Cable entry: 2 x Ø 16mm and 1 x Ø 20mm.
<b>Type HF</b>	Cable entry: 1 x Ø 22mm (7/8").
<b>Type HG</b>	Cable entry: 2 x Ø 20mm.
<b>Type HH</b>	Cable entry: 6 x Ø 12mm.
<b>Type HJ</b>	Cable entry: 3 x Ø 22mm (7/8").
<b>Type HK</b>	Flat bottom, cable entry: no holes.

## Aluminum wall / field mount enclosures

<b>General</b>	Die-cast aluminum wall/field mount enclosure IP67 / NEMA Type4X with 2-component UV-resistant coating. Extended back cover available with undrilled preparation for direct meter mounting.
<b>Dimensions</b>	130 x 120 x 75mm (5.12" x 4.72" x 2.95") - W x H x D. 130 x 120 x 90mm (5.12" x 4.72" x 3.54") - W x H x D.
<b>Weight</b>	1100 gr. / extended enclosure: 1310 gr.
<b>Type HA</b>	Cable entry: 2 x PG9 and 1 x M20.
<b>Type HL</b>	Cable entry: 2 x 1/2" NPT.
<b>Type HM/HBM</b>	Cable entry: 2 x M16 and 1 x M20.
<b>Type HN</b>	Cable entry: 1 x M20.
<b>Type HO/HBO</b>	Cable entry: 2 x M20.
<b>Type HP</b>	Cable entry: 6 x M12.
<b>Type HT</b>	Cable entry: 1 x 1/2" NPT.
<b>Type HB/HBU</b>	Cable entry: 3 x 1/2" NPT.
<b>Type HV</b>	Cable entry: 4 x M20.
<b>Type HZ</b>	Cable entry: no holes.
<b>Note</b>	The extended back covers HBM/HBO/HBU, require type XX

## Stainless steel 316L wall / field mount enclosures

<b>General</b>	Die-cast stainless steel 316L wall / field mount enclosure with flat bottom. IP67 / NEMA Type4X.
<b>Dimensions</b>	130 x 120 x 75mm (5.12" x 4.72" x 2.95") - W x H x D.
<b>Weight</b>	2700 gr.
<b>Type HSM</b>	Cable entry: 2 x M16 + 1 x M20.
<b>Type HSO</b>	Cable entry: 2 x M20.
<b>Type HSU</b>	Cable entry: 3 x 1/2" NPT.

## Signal inputs - Flowmeter

<b>Type P</b>	Coil / sine wave (HI: 20mVpp or LO: 90mVpp - sensitivity selectable), NPN/PNP, open collector, reed switch, Namur, active pulse signals 8 - 12 and 24V DC.
<b>Frequency</b>	Minimum 0Hz - maximum 6kHz for total and flow rate. Maximum frequency depends on signal type and internal low-pass filter. E.g. reed switch with low-pass filter: max. frequency 120Hz.
<b>K-Factor</b>	0.000010 - 9,999,999 with variable decimal position.
<b>Low-pass filter</b>	Available for all pulse signals.
<b>Option ZF</b>	coil sensitivity 10mVpp.
<b>Option ZG</b>	coil sensitivity 5mVpp.
<b>Type A</b>	(0)4 - 20mA. Analog input signal can be scaled to any desired range within 0 - 20mA.
<b>Type U</b>	0 - 10V DC. Contact factory.
<b>Accuracy</b>	Resolution: 16 bit. Error < 0.01mA / ± 0.05% FS. Low level cut-off programmable.
<b>Span</b>	0.0010 - 999,999 with variable decimal position.
<b>Update time</b>	Four times per second.
<b>Voltage drop</b>	Type A: max. 1V DC @ 20mA.
<b>Voltage drop</b>	Type A - PL (loop powered): max. 2.6V DC @ 20mA.
<b>Relationship</b>	Linear and square root calculation.
<b>Note A</b>	For signal type A: external power to sensor is required; e.g. type PD.

## Operator functions

<b>Displayed info</b>	<ul style="list-style-type: none"> <li>• Running total.</li> <li>• Accumulated total.</li> <li>• Total can be reset to zero by pressing the CLEAR-key twice.</li> </ul>
-----------------------	---

## Total

<b>Digits</b>	7 digits.
<b>Units</b>	L, m <sup>3</sup> , GAL, USGAL, kg, lb, bbl, no unit.
<b>Decimals</b>	0 - 1 - 2 or 3.
<b>Note</b>	Total can be reset to zero.

## Accumulated total

<b>Digits</b>	11 digits.
<b>Units / Decimals</b>	According to selection for total.
<b>Note</b>	Can not be reset to zero.

## Mounting accessories

<b>ACF02</b>	Stainless steel wall mounting kit.
<b>ACF05</b>	Stainless steel pipe mounting kit (worm gear clamps not included).
<b>ACF06</b>	Two stainless steel worm gear clamps Ø 44 - 56mm.
<b>ACF07</b>	Two stainless steel worm gear clamps Ø 58 - 75mm.
<b>ACF08</b>	Two stainless steel worm gear clamps Ø 77 - 95mm.
<b>ACF09</b>	Two stainless steel worm gear clamps Ø 106 - 138mm.
<b>ACF11</b>	Swivel with 25° movement from center axis for direct flowmeter mounting: 1" NPT to 1/2" NPT.

		Description					
Model	<b>F011</b>	<b>Totalizer with resettable total and non-resettable accumulated total.</b>					
Input	A	(0)4 - 20mA input.	-A				
	<b>P</b>	<b>Pulse input, e.g., coil, npn, pnp, namur, reed-switch.</b>	<b>-P</b>				
Enclosures	HB	Aluminum panel mount enclosure.	-HB				
	<b>HC</b>	<b>GRP panel mount enclosure.</b>	<b>-HC</b>				
	HD	GRP field mount - Cable entry: no holes.	-HD				
	HE	GRP field mount - Cable entry: 2 x Ø 16mm & 1 x Ø 20mm.	-HE				
	HF	GRP field mount - Cable entry: 1 x Ø 22mm (7/8").	-HF				
	HG	GRP field mount - Cable entry: 2 x Ø 20mm.	-HG				
	HH	GRP field mount - Cable entry: 6 x Ø 12mm.	-HH				
	HJ	GRP field mount - Cable entry: 3 x Ø 22mm (7/8").	-HJ				
	HK	GRP field mount, flat bottom - Cable entry: no holes.	-HK				
	HA	Aluminum field mount - Cable entry: 2 x PG9 + 1 x M20.	-HA				
	HL	Aluminum field mount - Cable entry: 2 x 1/2"NPT.	-HL				
	HM	Aluminum field mount - Cable entry: 2 x M16 + 1 x M20.	-HM				
	HN	Aluminum field mount - Cable entry: 1 x M20.	-HN				
	HO	Aluminum field mount - Cable entry: 2 x M20.	-HO				
	HP	Aluminum field mount - Cable entry: 6 x M12.	-HP				
	HT	Aluminum field mount - Cable entry: 1 x 1/2"NPT.	-HT				
	HU	Aluminum field mount - Cable entry: 3 x 1/2"NPT.	-HU				
	HV	Aluminum field mount - Cable entry: 4 x M20.	-HV				
	HZ	Aluminum field mount - Cable entry: no holes.	-HZ				
	HBM	Extended Alu. field/meter mount - Cable entry: 2 x M16 + 1 x M20 - req. XX.	-HBM				
	HBO	Extended Alu. field/meter mount - Cable entry: 2 x M20 - requires XX.	-HBO				
	HBU	Extended Alu. field/meter mount - Cable entry: 3 x 1/2"NPT - requires XX.	-HBU				
	HSM	Stainless steel 316L field mount - Cable entry: 2 x M16 + 1 x M20.	-HSM				
HSO	Stainless steel 316L field mount - Cable entry: 2 x M20.	-HSO					
HSU	Stainless steel 316L field mount - Cable entry: 3 x 1/2"NPT.	-HSU					
Power	PD	16 - 30 V DC + sensor supply.	-PD				
	PF	24V AC/DC + sensor supply - requires XX.	-PF				
	PL	Input loop powered from sensor signal type "A" .	-PL				
	PM	115 - 230V AC + sensor supply - requires XX.	-PM				
	<b>PX</b>	<b>Basic power supply 8 - 30V DC.</b>	<b>-PX</b>				
Bat-tery	PB	Additional lithium battery powered (opt.) - requires XX and PD or PX.	-PB -P_				
	PC	Additional lithium battery powered (opt.) - Intrins. safe - requires XI and PD or PX.	-PC -P_				
Hazar-dous	XI	Intrinsically safe, according ATEX, IECEx, CSA c-us and FM.	-XI				
	XF	Ex d enclosure - 3 keys according ATEX.	-XF				
	<b>XX</b>	<b>Safe area only.</b>	<b>-XX</b>				
Options	ZB	Backlight.	-ZB				
	ZF	Coil input 10mVpp.	-ZF				
	ZG	Coil input 5mVpp.	-ZG				
	<b>ZX</b>	<b>No options.</b>	<b>-ZX</b>				
		F011	-_	-H_	-P_	-X_	-Z_

The **bold** marked text contains the standard configuration: F011-P-HC-PX-XX-ZX.