

# Ultrasonic Flow Measurement

Clamp-on Flow Meters, without the fuss



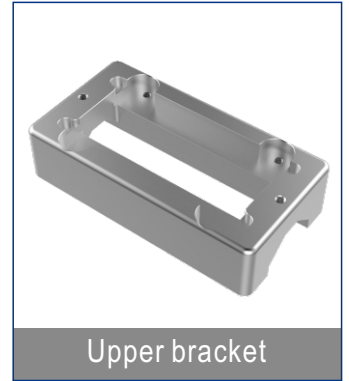
## Clamp On Type Flow Meter — Series BFX3

- α Clamp on type, No need to cut the pipe or make any other changes. Liquid compatibility is not an issue
- α No professional product knowledge required, installation and measurement is quick and easy.
- α No moving parts or pressure changes involved, installation can be done without flow interruption

# COMPONENT PARTS



BF33



Upper bracket



Base bracket



Connecting cables

# APPLICATIONS



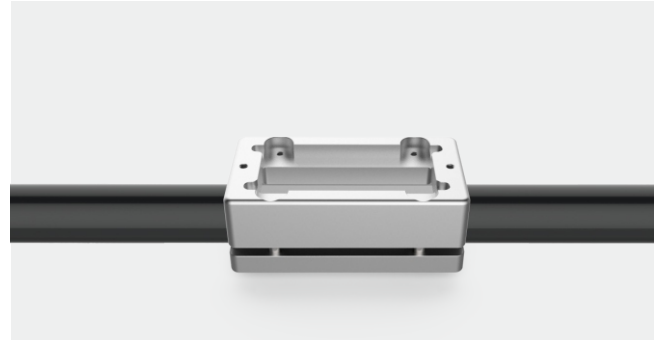
## EASY INSTALLATION STEPS

### 01 Clean the tube



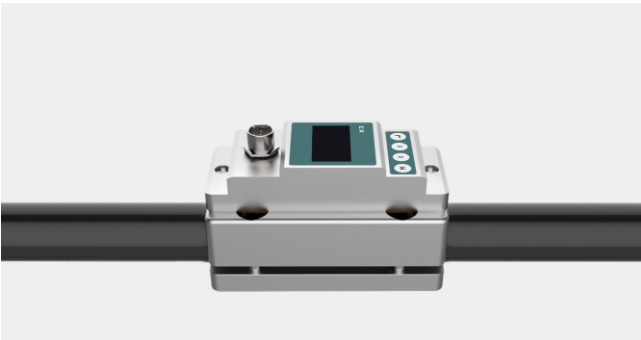
Make sure no dirt, paint or rust lies on the surface of the tube.

### 02 Install the housing bracket



Align flow meter to the pipe position, Install screws on top part of the bracket, the bottom part of the bracket will automatically connect with the top part. tighten the four M4 screws.

### 03 Install the BFX3



Take the cover off the sensor, put the flow meter into Upper bracket, and tighten the two M4 screws.

### 04 Connect the cable



Take out the cable, connect it to the socket, and tighten up.

### 05 Run the BFX3

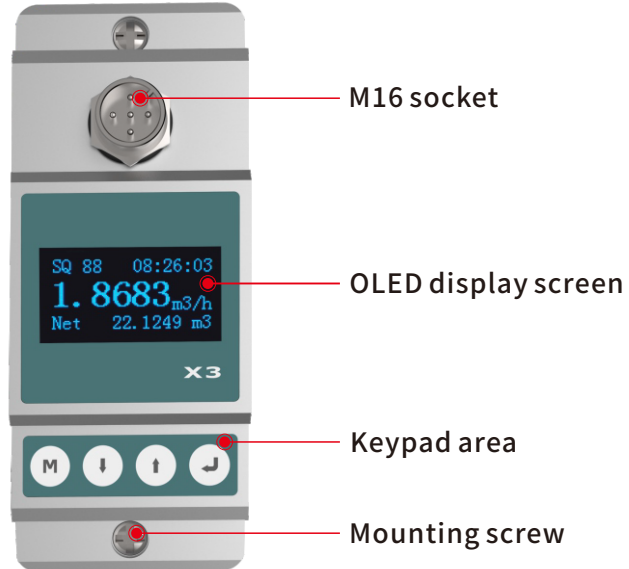


Please refer to the manual for cable connection; Power on and see if the  $SQ \geq 50$  which indicates that the measurement has been established and is stable.

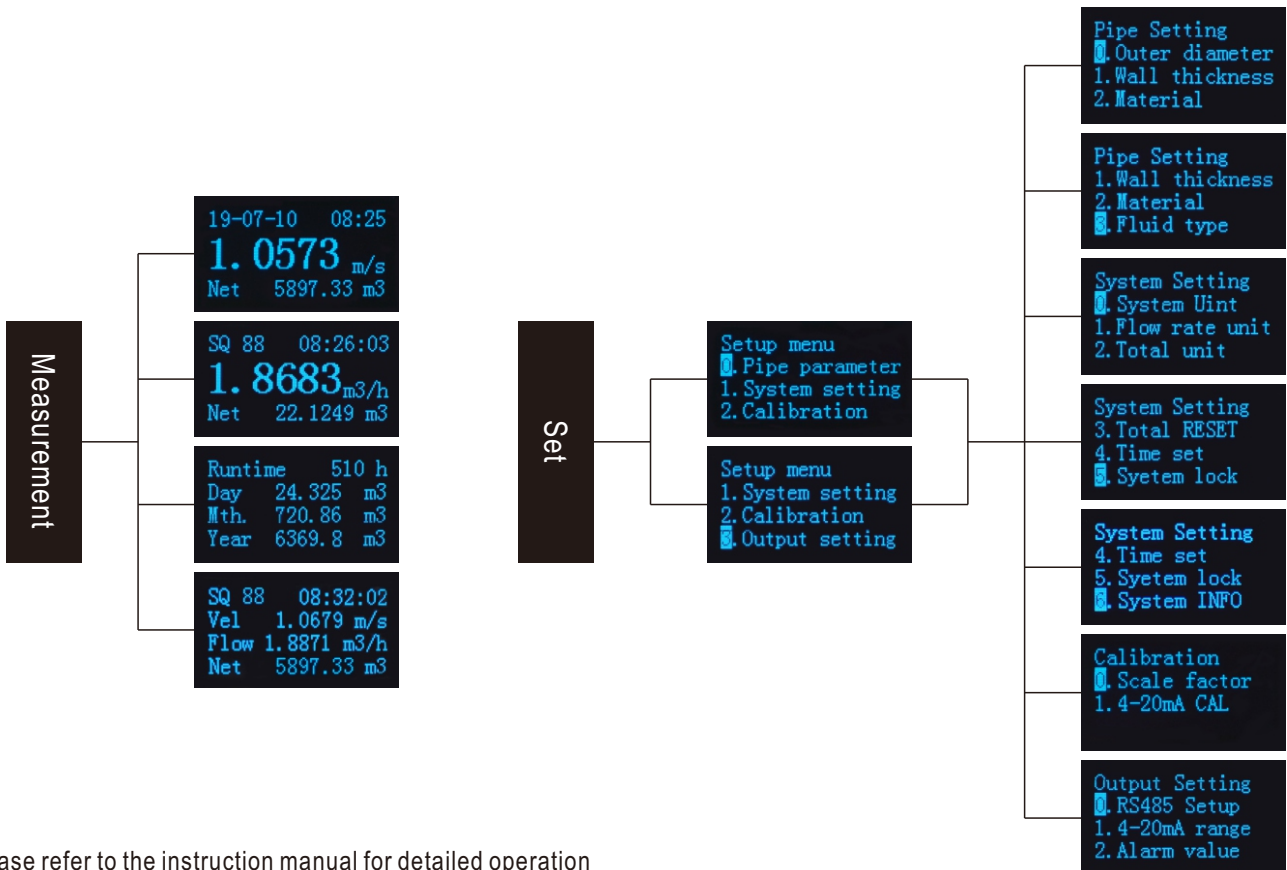
# BFX3 SETTINGS

## Special instructions:

The BFX3 is designed for different pipe diameters and materials, it will be set for your pipe size before it leaves the factory. There is no need to change the settings, but you can alter them by following the manual. eg. Outputs, liquid type etc




# DISPLAY MENU



Please refer to the instruction manual for detailed operation

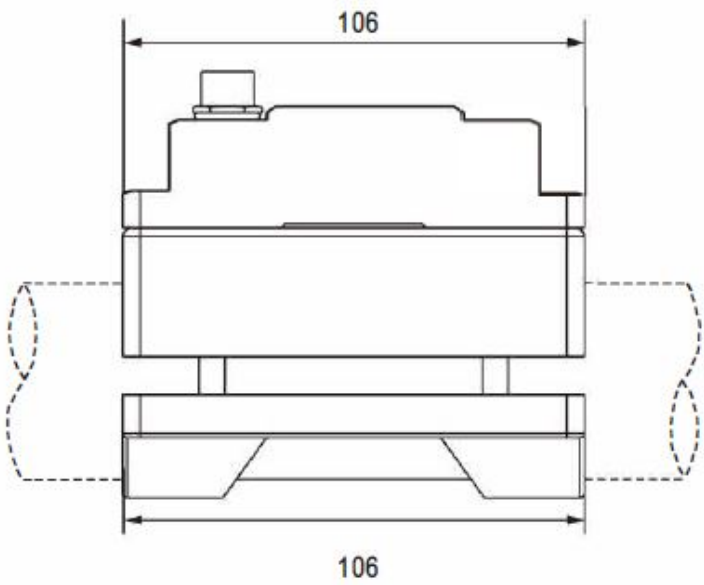
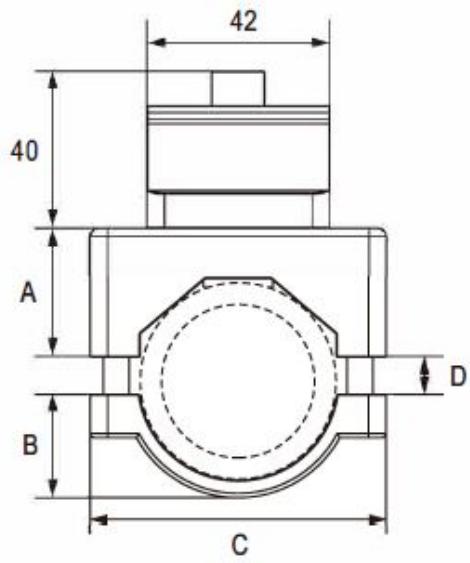
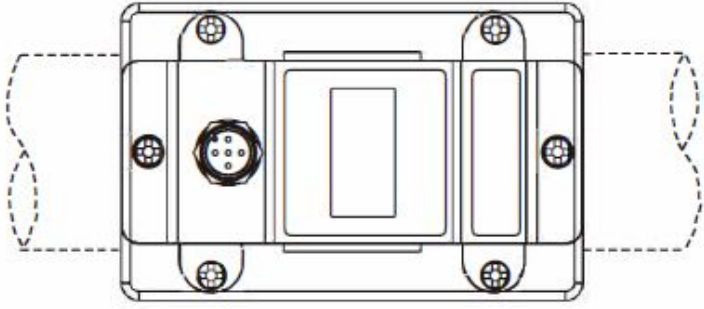
## PERFORMANCE INDEX

Product	BFX3 flow meter 
Model	BFX3
Flow range	0.1 m/s ~ 5.0 m/s
Accuracy	±2.0%
Repeatability	0.8%
Pipe size ΦOD (I.D)	Φ20(DN15), Φ25(DN20), Φ32(DN25), 40(DN32),Φ50(DN40),Φ63(DN50)
Data storage	Daily, monthly, and Annual. Flow Totalizer
Analog output	4-20mA, Maximum load: 600Ω
Alarm output	OCT (Open Collector), Upper and lower limit alarm function (optional)
Communication	RS485
Power supply	24 VDC
Cable length	1.8m
Keypad	Four touch buttons
Screen	OLED 128*64 display screen
Units	Metric and imperial units are available, Cubic Meters(m <sup>3</sup> ), Liters(L), USA Gallons(GAL)/hour, /min, Default unit setting: m <sup>3</sup> /h
Totalizer	Six figure digital
Piper material	Carbon Steel, Stainless Steel, PVC and Copper - on request
Case material	Aluminum alloy
Environment temp.	0°C - 50°C
Medium temp.	0°C - 50°C
Environment humidity	0-95% relative humidity, without condensation
IP Grade	IP54
Weight	0.6kg

Weight (KG)	X3- $\Phi$ 20	X3- $\Phi$ 25	X3- $\Phi$ 32	X3- $\Phi$ 40	X3- $\Phi$ 50	X3- $\Phi$ 63
	0.54	0.54	0.52	0.60	0.58	0.73

## DIMENSIONS

Model	A (mm)	B (mm)	C (mm)	OD(mm)	
				min	max
BFX3-<D15	25	8	58	OD20	OD23
BFX3-<D20	25	15	58	OD25	OD28
BFX3-<D25	28.5	18.5	58	OD32	OD35
BFX3-<D32	29.5	24	68	OD38	OD45
BFX3-<D40	36	27	78	OD48	OD54
BFX3-<D50	41	32	91	OD58	OD64



# PIPING SPECIFICATION

Model	- 20	- 25	- 32	- 40	- 50	- 63
Pipe diameter OD	φ20	φ25	φ32	φ40	φ50	φ63
Pipe diameter ID	15mm	20mm	25mm	32mm	40mm	50mm
Nominal	DN15	DN20	DN25	DN32	DN40	DN50
Imperial	1/2"	3/4"	1"	1.2"	1.5"	2"

# PRODUCT LINES

## Clamp-on Type Heat Flow Meter BEX3



**Flow range**  
0.1 m/s ~ 5 m/s

**Accuracy**  
±2.0%

**Pipe size**  
φ20 to φ80

## Clamp On Type Flow Meter BFX3



**Flow range**  
0.1 m/s ~ 5 m/s

**Accuracy**  
±2.0%

**Pipe size**  
φ = φ20, φ25, φ32, φ40, φ50, φ63

## Dedicated Ultrasonic Flowmeter BFU-100



**Flow range**  
0~±12 m/s

**Accuracy**  
±1.0%

**Pipe size**  
25mm ~ 6000mm

## Portable Ultrasonic Flowmeter BFU-100H



**Flow range**  
0~±12 m/s

**Accuracy**  
±1.0%

**Pipe size**  
25mm ~ 6000mm