

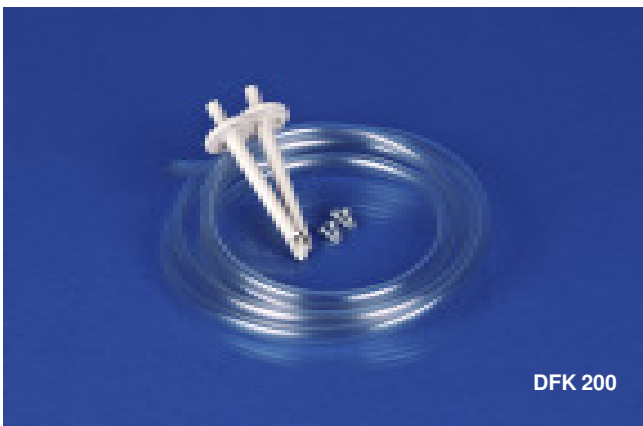


**Features**

- Electrical rating 250 Vac
- 9 different pressure ranges
- Switching pressure to be adjusted easy on a scaled adjustment knob
- Static, over, underpressure and vaccum

**Can be delivered in 3 different alternatives**

1. Only the pressure switch
2. The pressure switch separately packed and the duct fixing kit separately packed.
3. The pressure switch and the duct fixing kit packed together in one small carton.



**Ordering**

Type no.	Adjustment range	Switching differential
<b>Air differential pressure switch</b>		
930.80 222511	20–200 Pa	10 Pa
930.80 222511N	20–300 Pa	10 Pa
930.84 222511	30– 400 Pa	15 Pa
930.83 222511	50– 500 Pa	20 Pa
930.85 222511	200–1.000 Pa	100 Pa
930.85 222511N	100–1.000 Pa	100 Pa
930.86 222511	500–2.500 Pa	150 Pa
930.87 222511	1000–4.000 Pa	250 Pa
930.87 222511N	1000–5.000 Pa	250 Pa
<b>DFK 200</b> Duct fixing kit		

**Air differential pressure switch with duct fixing kit (DFK 200), packed together into a carton.**

930.80 222534	20–200 Pa	10 Pa
930.80 222534N	20–300 Pa	10 Pa
930.84 222534	30– 400 Pa	15 Pa
930.83 222534	50– 500 Pa	20 Pa
930.85 222534	200–1.000 Pa	100 Pa
930.85 222534N	100–1.000 Pa	100 Pa
930.86 222534	500–2.500 Pa	150 Pa
930.87 222534	1000–4.000 Pa	250 Pa
930.87 222534N	1000–5.000 Pa	250 Pa

**Technical data**

<b>Output</b>	on/off
<b>Max. operating pressure</b>	10 kPa
<b>Medium</b>	Air, non-combustible and non-aggressive gases.
<b>Temp. range</b>	Medium and ambient temp. from -20°C to +85°C. Storage temperature from -40°C to +85°C.
<b>Diaphragm material</b>	Silicone, tempered at +200°C, free of gas emissions. Other materials available on request.
<b>Pressure connections</b>	2 plastic pipe connection pieces (P1 and P2), external diameter 6.0 mm: P1 for connection to higher pressure (marked +) P2 for connection to lower pressure (marked -)
<b>Housing materials</b>	Switch body made of PA 6.6. Cover made of PS.
<b>Weight</b>	150 g
<b>Mechanical working life</b>	Over 10.000.000 switching operations
<b>Electrical rating</b>	max. 1.0 A (0.4 A) / 250 Vac
<b>Electrical connections</b>	AMP flat plug 6.3 mm x 0.8 mm in accordance with DIN 46244 or push-on screw terminals. Cable conduit M16 with cable strain
<b>Protection</b>	IP 54
<b>CE Conformity</b>	Each depending on technical specification: Directive 2006/95/EC; RoHS Directive 2002/95/EC; Gas Appliance Directive 90/396/EC

**Description**

The 930 differential pressure switch is suitable for low differential pressure switching applications in air-conditioning systems for providing indication of fan status or 'filter dirty'.

With this pressure switch the switching pressure can be adjusted manual by hand or with a screwdriver using a scaled adjustment knob located under the cover.

Tolerance for upper and lower switching pressure is +/-15%.

Switching pressure specifications apply to vertical installation which is also the recommended position with pressure-pipe connections pointing downwards.

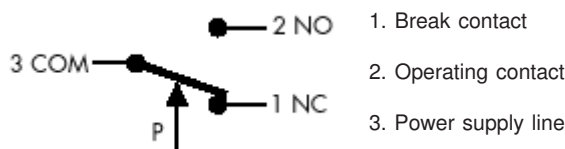
If the switches are installed horizontally with AMP connection terminals uppermost, the switching values are approx. 20 Pa higher.

**Applications**

Adjustable differential pressure switch for monitoring overpressure, vacuum and differential pressure of air or other non-combustible, non-aggressive gases.

Possible fields of application include:

- Monitoring air filters and ventilators
- Monitoring industrial cooling-air circuits
- Overheating protection for fan heaters
- Monitoring flows in ventilation ducts
- Controlling air and fire-protection flaps
- Frost protection for heat exchangers

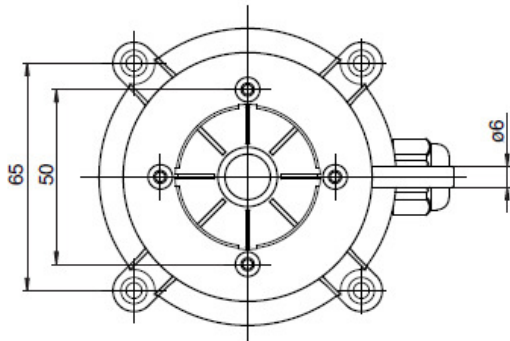
**Electrical connection**

**The cable gland**

The cable gland using a cap nut offers highly effective strain relief and a considerably better sealing function.

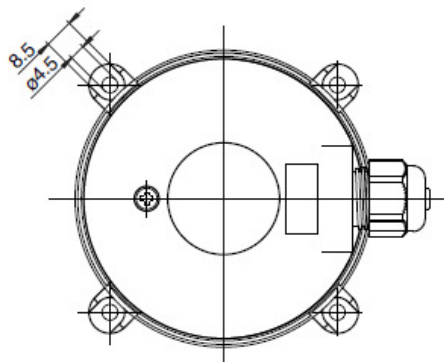
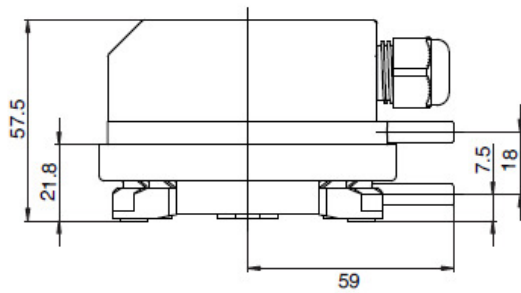
The installation of this gland has become easier since the integrated radial seal needs a lower torque, mainly less tightening forces, to ensure the sealing function as required by protection class IP 54.

This gland is designed for round cables with a diameter of 5 to 10 mm, while an optional reducer from 5 mm down to a diameter 3 mm is available for thinner cables. The nut has a width across flats of 20 mm, is made of polyamide and is provided with an NBR seal.

**Dimensions (mm)**

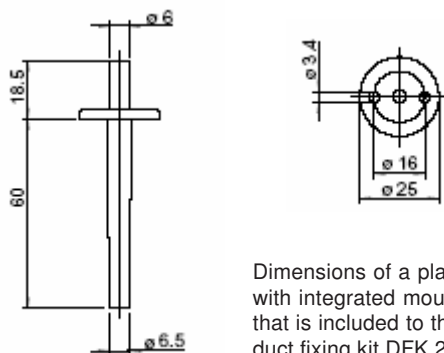


**930**



**Duct Fixing Kit**

Duct fixing kit DFK 200 includes  
2 plastic tubes with integrated mounting plate,  
2 metres PVC hose and 4 screws



Dimensions of a plastic tube  
with integrated mounting plate,  
that is included to the  
duct fixing kit DFK 200