

Screw-in temperature sensors / smoke gas temperature sensors with neck tube and passive output

RGTF 2
standard

Screw-in resistance thermometer / smoke gas temperature sensor with neck tube
THERMASGARD® RGTF 2 with passive output, with connecting head made from aluminium (optionally with **cable gland** or **M12 connector** according to DIN EN 61076-2-101) and straight protective tube.

The duct sensor is used to detect relatively high temperatures in liquid or gaseous media, eg, for exhaust air and smoke gas temperature measurement..

TECHNICAL DATA

Measuring range:	-35...+600 °C (extended range limits from -100...+750 °C optional)
Sensor / output:	Pt100/Pt1000 (according to DIN EN 60 751, class B) (Perfect Sensor Protection)
Connection type:	2-wire connection (4-wire connection optional)
Testing current:	< 0.6 mA (Pt1000) < 1.0 mA (Pt100)
Insulating resistance:	≥ 100 MΩ, at +20 °C (500 V DC)
Electrical connection:	0.14 - 2.5 mm ² via terminal screws on ceramic base
Cable connection:	RGTF 2 (Standard) adjusting screw made of metal (M20 x 1.5); RGTF 2-KV (optional) cable gland , brass, nickel-plated (M20 x 1.5; with strain relief, exchangeable, inner diameter 6 - 12 mm) RGTF 2-Q (optional) M12 connector according to DIN EN 61076-2-101 (male, 5-pin, A-code)
Dimensions:	see dimensional drawing
Connecting head:	form B, material aluminium, colour white aluminium (similar to RAL 9006), ambient temperature -20...+100 °C
Protective tube:	stainless steel V4A (1.4571), G ½" straight pipe thread, wrench size 27 mm, p _{max} = 40 bar, Ø = 8 mm length of neck tube (HL) = 80 mm inserted length (EL) = 100 - 500 mm (see table)
Process connection:	screwed socket with G ½" straight pipe thread
Humidity:	< 95 % r. H., non-precipitating air
Protection class:	III (according to EN 60 730)
Protection type:	IP 54 (according to EN 60 529) RGTF 2 IP 65 (according to EN 60 529) RGTF 2-KV / RGTF 2-Q



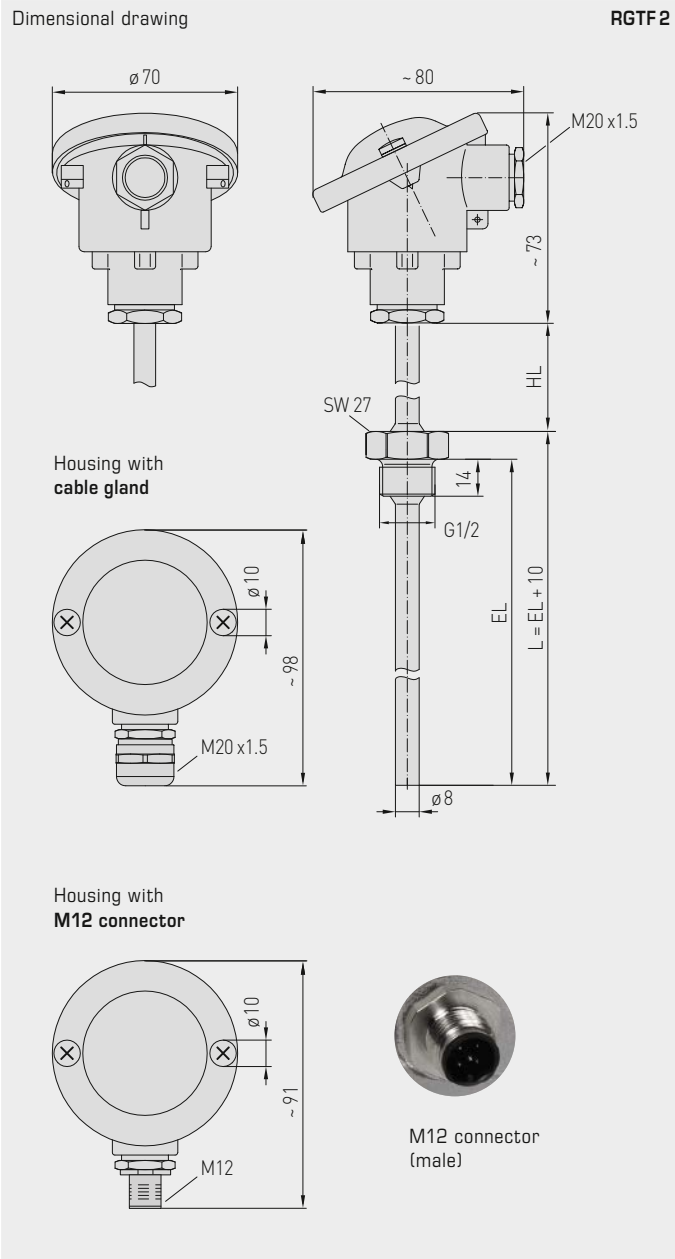
RGTF 2
Measuring insert with ceramic tubelet



S+S REGELTECHNIK

THERMASGARD® RGTF 2

Screw-in temperature sensors / smoke gas temperature sensors
with neck tube and passive output



RGTF 2
standard
(IP 54)



RGTF 2 - KV
with cable gland
(IP 65)



RGTF 2 - Q
with M12 connector
(IP 65)



High-performance encapsulation against
vibration, mechanical stress and humidity



Screw-in temperature sensors / smoke gas temperature sensors
with neck tube and passive output

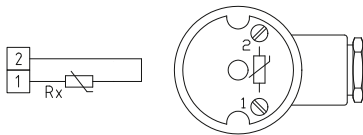
2-wire connection
(standard)



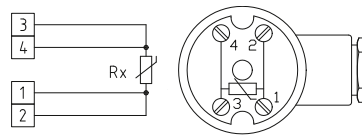
4-wire connection
(optional)



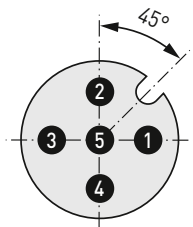
1x two-wire connection
(Pt100 / Pt1000)



1x four-wire connection
(optional)

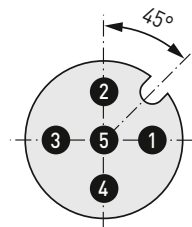


1x two-wire connection
pin assignment (M12)



- 1 Rx
- 2 Rx
- 3 frei / free
- 4 frei / free
- 5 frei / free

1x four-wire connection
pin assignment (M12)



- 1 Rx
- 2 Rx
- 3 Rx
- 4 Rx
- 5 frei / free

RGTF2
standard
(IP54)**THERMASGARD®
RGTF 2**Screw-in temperature sensors / smoke gas temperature sensors with neck tube
(standard)

Type / WG03	Sensor / Output	Installation length (EL)	Item No.	Price
RGTF2 Pt100 xx	Pt100 (according to DIN EN 60751, class B)		IP54, 2-wire	
RGTF2 Pt100 100/80mm	Pt100	100 mm	1101-2090-1021-000	171,69 €
RGTF2 Pt100 150/80mm	Pt100	150 mm	1101-2090-1031-000	172,79 €
RGTF2 Pt100 200/80mm	Pt100	200 mm	1101-2090-1041-000	178,30 €
RGTF2 Pt100 250/80mm	Pt100	250 mm	1101-2090-1051-000	179,40 €
RGTF2 Pt100 300/80mm	Pt100	300 mm	1101-2090-1061-000	187,09 €
RGTF2 Pt100 500/80mm	Pt100	500 mm	1101-2090-1101-000	199,21 €
RGTF2 Pt1000 xx	Pt1000 (according to DIN EN 60751, class B)		IP54, 2-wire	
RGTF2 Pt1000 100/80	Pt1000	100 mm	1101-2090-5021-000	171,69 €
RGTF2 Pt1000 150/80	Pt1000	150 mm	1101-2090-5031-000	172,79 €
RGTF2 Pt1000 200/80	Pt1000	200 mm	1101-2090-5041-000	178,30 €
RGTF2 Pt1000 250/80	Pt1000	250 mm	1101-2090-5051-000	179,40 €
RGTF2 Pt1000 300/80	Pt1000	300 mm	1101-2090-5061-000	187,09 €
RGTF2 Pt1000 500/80	Pt1000	500 mm	1101-2090-5101-000	199,21 €
Housing variant:	equipped as standard with pressure screw (IP54), optional housing variants with cable gland (IP65) or M12 connector (IP65) see the next page!			
Extra charge:	other measuring ranges optional		on request	21,96 €

RGTF2 - Q
with M12 connector
(IP65)



THERMASGARD® RGTF 2 - Q		Screw-in temperature sensors / smoke gas temperature sensors with neck tube (with M12 connector)			
Type / WG03	Sensor / Output	Installation length (EL)	Q	Item No.	Price
RGTF2 Pt100 xx Q	Pt100 (according to DIN EN 60751, class B)		●	IP65, 2-wire	
RGTF2 Pt100 100/80mm Q	Pt100	100 mm	●	2Z01-4141-0100-011	207,93 €
RGTF2 Pt100 150/80mm Q	Pt100	150 mm	●	2Z01-4141-0100-021	209,04 €
RGTF2 Pt100 200/80mm Q	Pt100	200 mm	●	2Z01-4141-0100-031	214,54 €
RGTF2 Pt100 250/80mm Q	Pt100	250 mm	●	2Z01-4141-0100-041	215,64 €
RGTF2 Pt100 300/80mm Q	Pt100	300 mm	●	2Z01-4141-0100-051	223,34 €
RGTF2 Pt100 500/80mm Q	Pt100	500 mm	●	2Z01-4141-0100-061	235,45 €
RGTF2 Pt1000 xx Q	Pt1000 (according to DIN EN 60751, class B)		●	IP65, 2-wire	
RGTF2 Pt1000 100/80mm Q	Pt1000	100 mm	●	2Z05-4141-0100-011	207,93 €
RGTF2 Pt1000 150/80mm Q	Pt1000	150 mm	●	2Z05-4141-0100-021	209,04 €
RGTF2 Pt1000 200/80mm Q	Pt1000	200 mm	●	2Z05-4141-0100-031	214,54 €
RGTF2 Pt1000 250/80mm Q	Pt1000	250 mm	●	2Z05-4141-0100-041	215,64 €
RGTF2 Pt1000 300/80mm Q	Pt1000	300 mm	●	2Z05-4141-0100-051	223,34 €
RGTF2 Pt1000 500/80mm Q	Pt1000	500 mm	●	2Z05-4141-0100-061	235,45 €
Housing variant "Q":	Cable connection with M12 connector (male, 5-pin, A-code)				
Extra charge:	other measuring ranges optional			on request	21,96 €

ACCESSORIES

Special accessories for M12 connector
see chapter Accessories!



S+S REGELTECHNIK

THERMASGARD® RGTF 2

Screw-in temperature sensors / smoke gas temperature sensors
with neck tube and passive output

RGTF2 - KV
with cable gland
(IP 65)



THERMASGARD® RGTF 2 - KV		Screw-in temperature sensors / smoke gas temperature sensors with neck tube (with cable gland)		
Type / WG03	Sensor / Output	Installation length (EL)	Item No.	Price
RGTF2 Pt100 xx KV	Pt100 (according to DIN EN 60751, class B)		IP 65, 2-wire	
RGTF2 Pt100 100/80mm KV	Pt100	100 mm	1101-20D0-1021-000	179,85 €
RGTF2 Pt100 150/80mm KV	Pt100	150 mm	1101-20D0-1031-000	180,95 €
RGTF2 Pt100 200/80mm KV	Pt100	200 mm	1101-20D0-1041-000	186,46 €
RGTF2 Pt100 250/80mm KV	Pt100	250 mm	1101-20D0-1051-000	187,55 €
RGTF2 Pt100 300/80mm KV	Pt100	300 mm	1101-20D0-1061-000	195,25 €
RGTF2 Pt100 500/80mm KV	Pt100	500 mm	1101-20D0-1101-000	207,37 €
RGTF2 Pt1000 xx KV	Pt1000 (according to DIN EN 60751, class B)		IP 65, 2-wire	
RGTF2 Pt1000 100/80mm KV	Pt1000	100 mm	1101-20D0-5021-000	179,85 €
RGTF2 Pt1000 150/80mm KV	Pt1000	150 mm	1101-20D0-5031-000	180,95 €
RGTF2 Pt1000 200/80mm KV	Pt1000	200 mm	1101-20D0-5041-000	186,46 €
RGTF2 Pt1000 250/80mm KV	Pt1000	250 mm	1101-20D0-5051-000	187,55 €
RGTF2 Pt1000 300/80mm KV	Pt1000	300 mm	1101-20D0-5061-000	195,25 €
RGTF2 Pt1000 500/80mm KV	Pt1000	500 mm	1101-20D0-5101-000	207,37 €
Housing variant "KV":		Cable connection with cable gland		
Extra charge:	other measuring ranges optional		on request	21,96 €