

**Duct temperature sensors / smoke gas temperature sensors, including mounting flange, with passive output**

**RGTF 1**  
standard

Resistance thermometer / smoke gas temperature sensor **THERMASGARD® RGTF 1** with passive output, with connecting head made from aluminium (optionally with **cable gland** or **M12 connector** according to DIN EN 61076-2-101) and straight protective tube, incl. mounting flange.

The duct sensor is used to detect relatively high temperatures in gaseous media, eg, for exhaust air and smoke gas temperature measurement.

**TECHNICAL DATA**

Measuring range:	-35...+600 °C (extended range limits from -100...+750 °C optional)
Sensor / output:	Pt100/Pt1000 (according to DIN EN 60 751, class B) <b>(Perfect Sensor Protection)</b>
Connection type:	2-wire connection (4-wire connection optional)
Testing current:	< 0.6 mA (Pt1000) < 1.0 mA (Pt100)
Insulating resistance:	≥ 100 MΩ, at +20 °C (500 V DC)
Electrical connection:	0.14 - 2.5 mm <sup>2</sup> via terminal screws on ceramic base
Cable connection:	<b>RGTF 1</b> (standard) adjusting screw made of metal (M20 x 1.5); <b>RGTF 1-KV</b> (optional) cable gland, brass, nickel-plated (M20 x 1.5; with strain relief, exchangeable, inner diameter 6 - 12 mm) <b>RGTF 1-Q</b> (optional) M12 connector according to DIN EN 61076-2-101 (male, 5-pin, A-code)
Dimensions:	see dimensional drawing
Connecting head:	form B, material aluminium, colour white aluminium (similar to RAL 9006), ambient temperature -20...+100 °C
Protective tube:	stainless steel <b>V4A</b> (1.4571), Ø = 8 mm inserted length (EL) = 200 - 500 mm (see table)
Process connection:	by mounting flange, stainless steel <b>V2A</b> (1.4305) (included in the scope of delivery)
Humidity:	< 95 % r. H., non-precipitating air
Protection class:	III (according to EN 60 730)
Protection type:	<b>IP 54</b> (according to EN 60 529) <b>RGTF 1</b> <b>IP 65</b> (according to EN 60 529) <b>RGTF1-KV / RGTF1-Q</b>



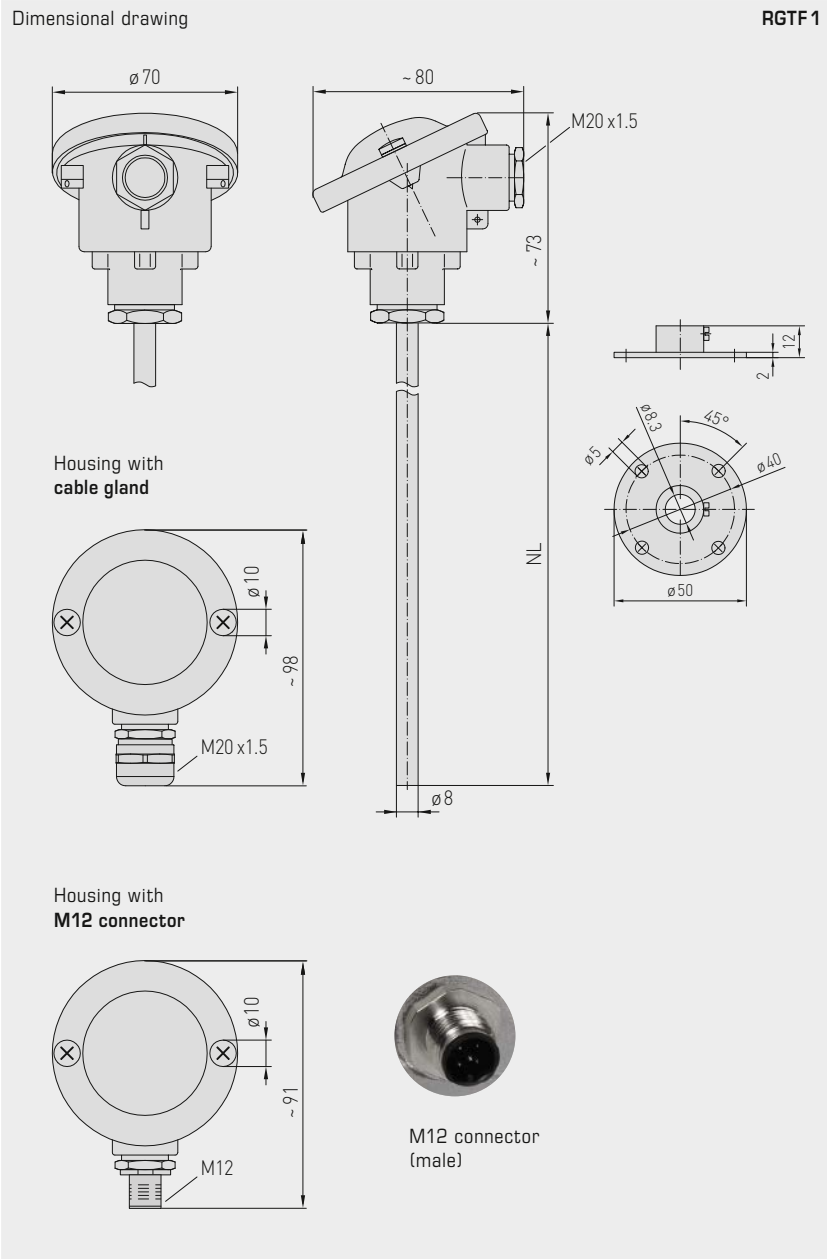
**RGTF 1**  
Measuring insert with ceramic tubelet



S+S REGELTECHNIK

THERMASGARD® RGTF 1

Duct temperature sensors / smoke gas temperature sensors, including mounting flange, with passive output



**RGTF 1**  
standard  
(IP 54)



**RGTF 1-KV**  
with cable gland  
(IP 65)



**RGTF 1-Q**  
with M12 connector  
(IP 65)



High-performance encapsulation against vibration, mechanical stress and humidity



Duct temperature sensors / smoke gas temperature sensors,  
including mounting flange, with passive output

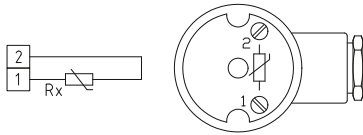
2-wire connection  
(standard)



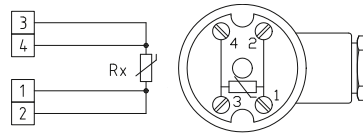
4-wire connection  
(optional)



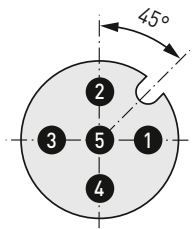
1x two-wire connection  
(Pt100 / Pt1000)



1x four-wire connection  
(optional)

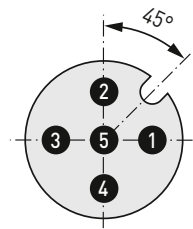


1x two-wire connection  
pin assignment (M12)



- 1 Rx
- 2 Rx
- 3 frei / free
- 4 frei / free
- 5 frei / free

1x four-wire connection  
pin assignment (M12)



- 1 Rx
- 2 Rx
- 3 Rx
- 4 Rx
- 5 frei / free



Duct temperature sensors / smoke gas temperature sensors,  
including mounting flange, with passive output

RGTF 1  
standard  
(IP 54)



THERMASGARD® RGTF 1		Duct temperature sensors / smoke gas temperature sensors, including mounting flange (Standard)		
Type / WG03	Sensor / Output	Installation length (EL)	Item No.	Price
<b>RGTF1 Pt100 xx</b>	<b>Pt100</b> (according to DIN EN 60751, class B)		<b>IP 54, 2-wire</b>	
RGTF1 Pt100 200mm	Pt100	200 mm	1101-3040-1041-000	154,08 €
RGTF1 Pt100 250mm	Pt100	250 mm	1101-3040-1051-000	155,74 €
RGTF1 Pt100 300mm	Pt100	300 mm	1101-3040-1061-000	159,36 €
RGTF1 Pt100 500mm	Pt100	500 mm	1101-3040-1101-000	164,09 €
<b>RGTF1 Pt1000 xx</b>	<b>Pt1000</b> (according to DIN EN 60751, class B)		<b>IP 54, 2-wire</b>	
RGTF1 Pt1000 200mm	Pt1000	200 mm	1101-3040-5041-000	154,08 €
RGTF1 Pt1000 250mm	Pt1000	250 mm	1101-3040-5051-000	155,74 €
RGTF1 Pt1000 300mm	Pt1000	300 mm	1101-3040-5061-000	159,36 €
RGTF1 Pt1000 500mm	Pt1000	500 mm	1101-3040-5101-000	164,09 €
<b>Housing variant:</b>	equipped as standard with pressure screw (IP 54), optional housing variants with cable gland (IP 65) or M12 connector (IP 65) see the next page!			
Extra charge:	other measuring ranges optional			21,96 €

Duct temperature sensors / smoke gas temperature sensors,  
including mounting flange, with passive output

S+S REGELTECHNIK

**RGTF 1 - Q**  
with M12 connector  
(IP65)



**THERMASGARD®** Duct temperature sensors / smoke gas temperature sensors, including mounting flange  
**RGTF 1 - Q** (with M12 connector)

Type / WG03	Sensor / Output	Installation length (EL)	Q	Item No.	Price
<b>RGTF1 Pt100 xx Q</b>	<b>Pt100</b> (according to DIN EN 60751, class B)		●	<b>IP 65, 2-wire</b>	
RGTF1 Pt100 200mm <b>Q</b>	Pt100	200 mm	●	2Z01-4131-0100-011	190,24 €
RGTF1 Pt100 250mm <b>Q</b>	Pt100	250 mm	●	2Z01-4131-0100-021	191,98 €
RGTF1 Pt100 300mm <b>Q</b>	Pt100	300 mm	●	2Z01-4131-0100-031	195,60 €
RGTF1 Pt100 500mm <b>Q</b>	Pt100	500 mm	●	2Z01-4131-0100-041	200,34 €
<b>RGTF1 Pt1000 xx Q</b>	<b>Pt1000</b> (according to DIN EN 60751, class B)		●	<b>IP 65, 2-wire</b>	
RGTF1 Pt1000 200mm <b>Q</b>	Pt1000	200 mm	●	2Z05-4131-0100-011	190,24 €
RGTF1 Pt1000 250mm <b>Q</b>	Pt1000	250 mm	●	2Z05-4131-0100-021	191,98 €
RGTF1 Pt1000 300mm <b>Q</b>	Pt1000	300 mm	●	2Z05-4131-0100-031	195,60 €
RGTF1 Pt1000 500mm <b>Q</b>	Pt1000	500 mm	●	2Z05-4131-0100-041	200,34 €
<b>Housing variant "Q":</b>	Cable connection <b>with M12 connector</b> (male, 5-pin, A-code)				
Extra charge:	other measuring ranges optional				21,96 €

**ACCESSORIES**

**Special accessories for M12 connector**  
see chapter Accessories!



Duct temperature sensors / smoke gas temperature sensors,  
including mounting flange, with passive output

RGTF 1 - KV  
with cable gland  
(IP 65)



THERMASGARD® RGTF 1 - KV		Duct temperature sensors / smoke gas temperature sensors, including mounting flange (with cable gland)		
Type / WG03	Sensor / Output	Installation length (EL)	Item No.	Price
<b>RGTF1 Pt100 xx KV</b>	<b>Pt100</b> (according to DIN EN 60751, class B)		<b>IP65, 2-wire</b>	
RGTF1 Pt100 200mm KV	Pt100	200 mm	1101-30D0-1041-000	162,24 €
RGTF1 Pt100 250mm KV	Pt100	250 mm	1101-30D0-1051-000	163,90 €
RGTF1 Pt100 300mm KV	Pt100	300 mm	1101-30D0-1061-000	167,52 €
RGTF1 Pt100 500mm KV	Pt100	500 mm	1101-30D0-1101-000	172,25 €
<b>RGTF1 Pt1000 xx KV</b>	<b>Pt1000</b> (according to DIN EN 60751, class B)		<b>IP65, 2-wire</b>	
RGTF1 Pt1000 200mm KV	Pt1000	200 mm	1101-30D0-5041-000	162,24 €
RGTF1 Pt1000 250mm KV	Pt1000	250 mm	1101-30D0-5051-000	163,90 €
RGTF1 Pt1000 300mm KV	Pt1000	300 mm	1101-30D0-5061-000	167,52 €
RGTF1 Pt1000 500mm KV	Pt1000	500 mm	1101-30D0-5101-000	172,25 €
<b>Housing variant "KV":</b>	<b>Cable connection with cable gland</b>			
Extra charge:	other measuring ranges optional			21,96 €