

**Sleeve sensor / cable temperature sensor**  
**duct / immersion / screw-in temperature sensor,**  
**with passive output**

The sleeve sensor / cable sensor **THERMASGARD® HTF** is used to measure temperatures in liquid and gaseous media. It can be used as a duct sensor and - if installed in an immersion sleeve - as an immersion and screw-in sensor. The sleeve length varies, depending on request, from 30...400 mm (standard is 50 mm respectively 200 mm), the cable length is arbitrary (standard is 1.5 m). Depending on application, with silicone, glass fibre, or PVC leads, for two-wire or four-wire connection. For direct, continuous use in liquids, please use our **THE** immersion sleeves (see type table).

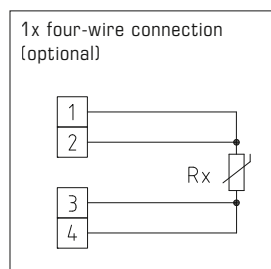
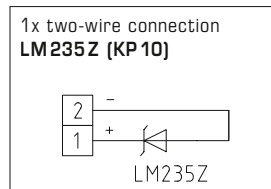
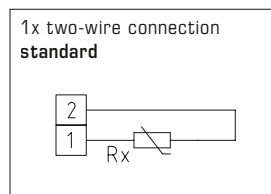
**TECHNICAL DATA**

Measuring ranges:	-35...+105 °C <b>PVC</b> , LiYY, 2 x 0.25 mm <sup>2</sup> -50...+180 °C <b>Silicone</b> , SiHF, 2 x 0.25 mm <sup>2</sup> -50...+250 °C <b>PTFE</b> , 2 x 1.0 mm <sup>2</sup> -50...+350 °C <b>glass fibre</b> , 2 x 0.25 mm <sup>2</sup> ends stripped with wire end sleeves (extended measuring range limits optional, depending on connection leads, <b>T<sub>max</sub> Ni1000 = +180 °C,</b> <b>T<sub>max</sub> NTC / Ni1000 TK5000 = +150 °C,</b> <b>T<sub>max</sub> LM235Z = +125 °C</b> )
Sensors / output:	see table, passive (optional also with 2 sensors) <b>(Perfect Sensor Protection with IP68)</b>
Connection type:	2-wire connection (4-wire connection optional)
Testing current:	< 0.6 mA (Pt1000) < 1.0 mA (Pt100) < 0.3 mA (Ni1000, Ni1000 TK5000) < 2.0 mW (NTC xx) 400 µA...5 mA (LM235Z)
Protective tube (sensor sleeve):	stainless steel, <b>V4A</b> (1.4571), Ø = 6 mm <b>HTF 50</b> nominal length (NL) = 50 mm <b>HTF 200</b> nominal length (NL) = 200 mm (other optional dimensions also available, nominal length (NL) = 30...400 mm) cable entry stamped (optional rolled)
Connection cable:	cable length (KL) = 1.5 m (optional also 3 m, 5 m, 8 m, 10 m)
Insulating resistance:	≥ 100 MΩ, at +20 °C (500 V DC)
Process connection:	using immersion sleeves <b>THE</b> (see table) or mounting flange, plastic (see table) (optionally in galvanised steel, see chapter Accessories)
Permitted humidity:	< 95% r.H., non-precipitating air
Protection class:	III (according to EN 60 730)
Protection type:	<b>IP65</b> (according to EN 60 529) humidity-tight <b>stamped</b> <b>IP68</b> (optional watertight compound-filled*) <b>rolled</b> <b>IP54</b> (optional <b>glass fibre</b> cable)

**ACCESSORIES**

<b>MF-06-K</b>	<b>Mounting flange</b> , plastic, 56.8 x 84.3 mm, Ø = 6.2 mm tube gland, T <sub>max</sub> = +100 °C (is <b>not</b> included in scope of delivery)
<b>THE-ms/xx</b>	<b>Immersion sleeve, brass, nickel-plated</b> , Ø = 9 mm, inserted length (EL) = 50-250 mm (see table), inner diameter of socket Ø = 5.2 mm, with <b>adjusting screw</b> M12 x 1.5 T <sub>max</sub> = +130 °C, p <sub>max</sub> = 16 bar
<b>THE-VA/xx</b>	<b>Immersion sleeve, stainless steel, V4A</b> (1.4571), Ø = 9 mm, inserted length (EL) = 50-400 mm (see table), inner diameter of socket Ø = 5.2 mm, with <b>adjusting screw</b> M12 x 1.5 T <sub>max</sub> = +200 °C, p <sub>max</sub> = 40 bar

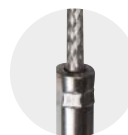
\* High-performance encapsulation against vibration, mechanical stress and humidity



**IP65** (standard)  
 humidity-tight **stamped**



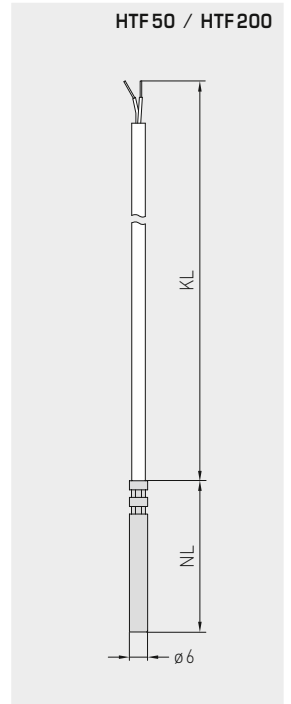
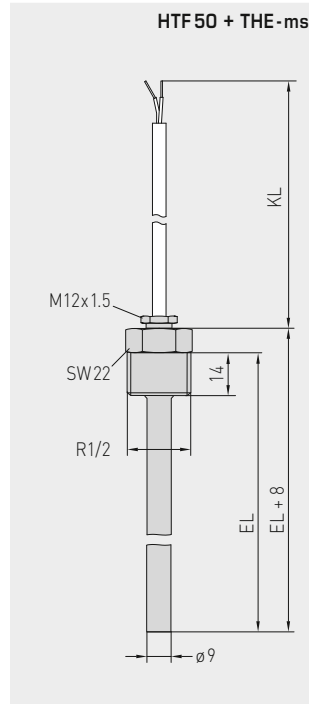
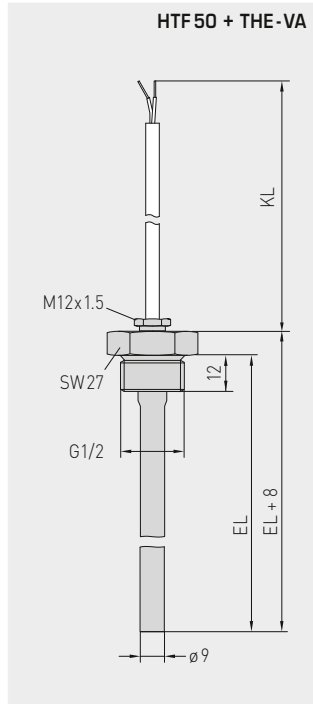
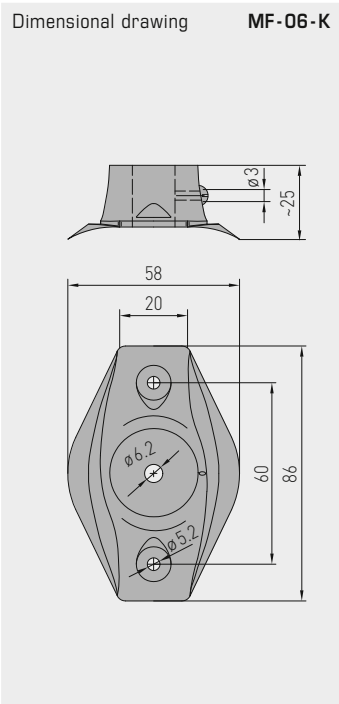
**IP68** (optional)  
 watertight compound-filled\*,  
**rolled**



**IP54** (optional)  
 with **glass fibre** cable

**MF-06-K**  
 Mounting flange,  
 plastic  
 (optional)





**HTF 200 + MF-06-K**  
with accessory mounting flange  
(see type table)  
as duct temperature sensor

**HTF 50 + THE-xx**  
with accessory immersion sleeve  
(see type table)  
as immersion / screw-in temperature sensor

**HTF 50**  
with PVC / silicone cable  
(standard)



**THE-VA**  
Immersion sleeve,  
stainless steel, V4A,  
with adjusting screw



**HTF 50**  
with glass fibre cable



**THE-ms**  
Immersion sleeve,  
brass, nickel-plated,  
with adjusting screw



Sleeve sensor / cable temperature sensor  
 duct / immersion / screw-in temperature sensor,  
 with passive output

**THERMASGARD® HTF 50** sleeve sensor / cable temperature sensor (NL = 50 mm)

Type / WG03	Cable material	Cable length	Measuring Range	Protection class	Item No. Sensor	Price
					<b>Pt 100, class B</b>	
<b>HTF50 PT100</b>						
HTF50 PT100	PVC	1.5 m	-35...+105 °C	IP65 *	1101-6030-1211-110	11,83 €
HTF50 PT100	Silicone	1.5 m	-50...+180 °C	IP65 *	1101-6030-1211-120	14,87 €
HTF50 PT100	PTFE	1.5 m	-50...+250 °C	IP65 *	1101-6030-1211-140	18,49 €
HTF50 PT100	Glass Fibre	1.5 m	-50...+350 °C	<b>IP54</b>	1101-6030-1211-050	41,45 €
HTF50 PT100	PVC	3 m	-35...+105 °C	IP65 *	1101-6030-1231-110	14,32 €
HTF50 PT100	Silicone	3 m	-50...+180 °C	IP65 *	1101-6030-1231-120	18,55 €
HTF50 PT100	PVC	5 m	-35...+105 °C	IP65 *	1101-6030-1251-110	17,63 €
HTF50 PT100	Silicone	5 m	-50...+180 °C	IP65 *	1101-6030-1251-120	23,46 €
HTF50 PT100	PVC	8 m	-35...+105 °C	IP65 *	1101-6030-1281-110	22,61 €
HTF50 PT100	Silicone	8 m	-50...+180 °C	IP65 *	1101-6030-1281-120	30,83 €
HTF50 PT100	PVC	10 m	-35...+105 °C	IP65 *	1101-6030-1301-110	25,91 €
HTF50 PT100	Silicone	10 m	-50...+180 °C	IP65 *	1101-6030-1301-120	35,76 €
					<b>Pt 1000, class B</b>	
<b>HTF50 PT1000</b>						
HTF50 PT1000	PVC	1.5 m	-35...+105 °C	IP65 *	1101-6030-5211-110	13,93 €
HTF50 PT1000	Silicone	1.5 m	-50...+180 °C	IP65 *	1101-6030-5211-120	17,12 €
HTF50 PT1000	PTFE	1.5 m	-50...+250 °C	IP65 *	1101-6030-5211-140	22,07 €
HTF50 PT1000	Glass Fibre	1.5 m	-50...+350 °C	<b>IP54</b>	1101-6030-5211-050	41,45 €
HTF50 PT1000	PVC	3 m	-35...+105 °C	IP65 *	1101-6030-5231-110	16,42 €
HTF50 PT1000	Silicone	3 m	-50...+180 °C	IP65 *	1101-6030-5231-120	20,81 €
HTF50 PT1000	PVC	5 m	-35...+105 °C	IP65 *	1101-6030-5251-110	19,73 €
HTF50 PT1000	Silicone	5 m	-50...+180 °C	IP65 *	1101-6030-5251-120	25,73 €
HTF50 PT1000	PVC	8 m	-35...+105 °C	IP65 *	1101-6030-5281-110	24,70 €
HTF50 PT1000	Silicone	8 m	-50...+180 °C	IP65 *	1101-6030-5281-120	33,10 €
HTF50 PT1000	PVC	10 m	-35...+105 °C	IP65 *	1101-6030-5301-110	28,01 €
HTF50 PT1000	Silicone	10 m	-50...+180 °C	IP65 *	1101-6030-5301-120	38,01 €
					<b>Pt 1000 A, class A-TGA</b>	
<b>HTF50 PT1000 A</b>						
HTF50 PT1000A	PVC	1.5 m	-35...+105 °C	IP65 *	1101-6030-6211-110	20,43 €
HTF50 PT1000A	Silicone	1.5 m	-50...+180 °C	IP65 *	1101-6030-6211-120	23,47 €
					<b>Ni 1000</b>	
<b>HTF50 NI1000</b>						
HTF50 NI1000	PVC	1.5 m	-35...+105 °C	IP65 *	1101-6030-9211-110	13,54 €
HTF50 NI1000	Silicone	1.5 m	-50...+180 °C	IP65 *	1101-6030-9211-120	16,85 €
HTF50 NI1000	PVC	3 m	-35...+105 °C	IP65 *	1101-6030-9231-110	16,03 €
HTF50 NI1000	Silicone	3 m	-50...+180 °C	IP65 *	1101-6030-9231-120	20,53 €
HTF50 NI1000	PVC	5 m	-35...+105 °C	IP65 *	1101-6030-9251-110	19,34 €
HTF50 NI1000	Silicone	5 m	-50...+180 °C	IP65 *	1101-6030-9251-120	25,44 €
HTF50 NI1000	PVC	8 m	-35...+105 °C	IP65 *	1101-6030-9281-110	24,31 €
HTF50 NI1000	Silicone	8 m	-50...+180 °C	IP65 *	1101-6030-9281-120	32,82 €
HTF50 NI1000	PVC	10 m	-35...+105 °C	IP65 *	1101-6030-9301-110	27,62 €
HTF50 NI1000	Silicone	10 m	-50...+180 °C	IP65 *	1101-6030-9301-120	37,74 €
					<b>Ni 1000 TK 5000</b>	
<b>HTF50 NITK</b>						
HTF50 NITK	PVC	1.5 m	-35...+105 °C	IP65 *	1101-6031-0211-110	17,07 €
HTF50 NITK	Silicone	1.5 m	<b>-50...+150 °C</b>	IP65 *	1101-6031-0211-120	20,14 €
HTF50 NITK	PVC	3 m	-35...+105 °C	IP65 *	1101-6031-0231-110	19,56 €
HTF50 NITK	Silicone	3 m	<b>-50...+150 °C</b>	IP65 *	1101-6031-0231-120	23,83 €
HTF50 NITK	PVC	5 m	-35...+105 °C	IP65 *	1101-6031-0251-110	22,87 €
HTF50 NITK	Silicone	5 m	<b>-50...+150 °C</b>	IP65 *	1101-6031-0251-120	28,74 €
HTF50 NITK	PVC	8 m	-35...+105 °C	IP65 *	1101-6031-0281-110	27,84 €
HTF50 NITK	Silicone	8 m	<b>-50...+150 °C</b>	IP65 *	1101-6031-0281-120	36,12 €
HTF50 NITK	PVC	10 m	-35...+105 °C	IP65 *	1101-6031-0301-110	31,15 €
HTF50 NITK	Silicone	10 m	<b>-50...+150 °C</b>	IP65 *	1101-6031-0301-120	41,03 €
					<b>LM235Z</b>	
<b>HTF50 LM235Z</b>						
HTF50 LM235Z	PVC	1.5 m	-35...+105 °C	IP65 *	1101-6032-1211-110	12,12 €
HTF50 LM235Z	Silicone	1.5 m	<b>-40...+125 °C</b>	IP65 *	1101-6032-1211-120	15,42 €
HTF50 LM235Z	PVC	3 m	-35...+105 °C	IP65 *	1101-6032-1231-110	14,60 €
HTF50 LM235Z	Silicone	3 m	<b>-40...+125 °C</b>	IP65 *	1101-6032-1231-120	19,10 €
HTF50 LM235Z	PVC	5 m	-35...+105 °C	IP65 *	1101-6032-1251-110	17,92 €
HTF50 LM235Z	Silicone	5 m	<b>-40...+125 °C</b>	IP65 *	1101-6032-1251-120	24,01 €
HTF50 LM235Z	PVC	8 m	-35...+105 °C	IP65 *	1101-6032-1281-110	22,88 €
HTF50 LM235Z	Silicone	8 m	<b>-40...+125 °C</b>	IP65 *	1101-6032-1281-120	31,40 €
HTF50 LM235Z	PVC	10 m	-35...+105 °C	IP65 *	1101-6032-1301-110	26,20 €
HTF50 LM235Z	Silicone	10 m	<b>-40...+125 °C</b>	IP65 *	1101-6032-1301-120	36,31 €

Continued on next page ...



**THERMASGARD® HTF 50** sleeve sensor / cable temperature sensor (NL = 50 mm)

Type / WG03	Cable material	Cable length	Measuring Range	Protection class	Item No. Sensor	Price
<b>HTF50 NTC1.8K</b>					<b>NTC 1.8K</b>	
HTF50 NTC1,8K	PVC	1.5 m	-35...+105 °C	IP65 *	1101-6031-2211-110	11,45 €
HTF50 NTC1,8K	Silicone	1.5 m	-50...+150 °C	IP65 *	1101-6031-2211-120	13,16 €
HTF50 NTC1,8K	PVC	3 m	-35...+105 °C	IP65 *	1101-6031-2231-110	13,94 €
HTF50 NTC1,8K	Silicone	3 m	-50...+150 °C	IP65 *	1101-6031-2231-120	16,85 €
HTF50 NTC1,8K	PVC	5 m	-35...+105 °C	IP65 *	1101-6031-2251-110	17,25 €
HTF50 NTC1,8K	Silicone	5 m	-50...+150 °C	IP65 *	1101-6031-2251-120	21,76 €
HTF50 NTC1,8K	PVC	8 m	-35...+105 °C	IP65 *	1101-6031-2281-110	22,22 €
HTF50 NTC1,8K	Silicone	8 m	-50...+150 °C	IP65 *	1101-6031-2281-120	29,13 €
HTF50 NTC1,8K	PVC	10 m	-35...+105 °C	IP65 *	1101-6031-2301-110	25,53 €
HTF50 NTC1,8K	Silicone	10 m	-50...+150 °C	IP65 *	1101-6031-2301-120	34,05 €
<b>HTF50 NTC10K</b>					<b>NTC 10K</b>	
HTF50 NTC10K	PVC	1.5 m	-35...+105 °C	IP65 *	1101-6031-5211-110	11,45 €
HTF50 NTC10K	Silicone	1.5 m	-50...+150 °C	IP65 *	1101-6031-5211-120	13,16 €
HTF50 NTC10K	PVC	3 m	-35...+105 °C	IP65 *	1101-6031-5231-110	13,94 €
HTF50 NTC10K	Silicone	3 m	-50...+150 °C	IP65 *	1101-6031-5231-120	16,85 €
HTF50 NTC10K	PVC	5 m	-35...+105 °C	IP65 *	1101-6031-5251-110	17,25 €
HTF50 NTC10K	Silicone	5 m	-50...+150 °C	IP65 *	1101-6031-5251-120	21,76 €
HTF50 NTC10K	PVC	8 m	-35...+105 °C	IP65 *	1101-6031-5281-110	22,22 €
HTF50 NTC10K	Silicone	8 m	-50...+150 °C	IP65 *	1101-6031-5281-120	29,13 €
HTF50 NTC10K	PVC	10 m	-35...+105 °C	IP65 *	1101-6031-5301-110	25,53 €
HTF50 NTC10K	Silicone	10 m	-50...+150 °C	IP65 *	1101-6031-5301-120	34,05 €
<b>HTF50 NTC20K</b>					<b>NTC 20K</b>	
HTF50 NTC20K	PVC	1.5 m	-35...+105 °C	IP65 *	1101-6031-6211-110	11,45 €
HTF50 NTC20K	Silicone	1.5 m	-50...+150 °C	IP65 *	1101-6031-6211-120	13,16 €
HTF50 NTC20K	PVC	3 m	-35...+105 °C	IP65 *	1101-6031-6231-110	13,94 €
HTF50 NTC20K	Silicone	3 m	-50...+150 °C	IP65 *	1101-6031-6231-120	16,85 €
HTF50 NTC20K	PVC	5 m	-35...+105 °C	IP65 *	1101-6031-6251-110	17,25 €
HTF50 NTC20K	Silicone	5 m	-50...+150 °C	IP65 *	1101-6031-6251-120	21,76 €
HTF50 NTC20K	PVC	8 m	-35...+105 °C	IP65 *	1101-6031-6281-110	22,22 €
HTF50 NTC20K	Silicone	8 m	-50...+150 °C	IP65 *	1101-6031-6281-120	29,13 €
HTF50 NTC20K	PVC	10 m	-35...+105 °C	IP65 *	1101-6031-6301-110	25,53 €
HTF50 NTC20K	Silicone	10 m	-50...+150 °C	IP65 *	1101-6031-6301-120	34,05 €
Extra charge:	* Protection type <b>IP68</b> (Sensor sleeve watertight compound-filled) Other sensors optional Cable length (KL) 3 m, 5 m, 8 m, 10 m (standard lengths) Connection type <b>4-wire</b> (4-conductor)					2,94 € on request on request on request
For special orders please specify: (possible for 25 or more pieces)	Type sensor length (NL), sensor, cable material, connection type, cable length (KL), protection type e. g. HTF-30mm, Pt1000, PVC, 2-wire, 10 m, IP68; HTF-50mm, Ni1000 TK5000, silicon, 4-wire, 5 m, IP65					

**HTF 50**  
(NL = 50 mm)  
with PVC / silicone cable

**HTF 50**  
(NL = 50 mm)  
with glass fibre cable



**IP 65** (standard)  
humidity-tight stamped

**IP 68** (optional)  
watertight compound-filled,  
rolled

**IP 54** (optional)  
with glass fibre cable



Sleeve sensor / cable temperature sensor  
 duct / immersion / screw-in temperature sensor,  
 with passive output

THERMASGARD® HTF 200 sleeve sensor / cable temperature sensor (NL = 200 mm)						
Type / WG03	Cable material	Cable length	Measuring Range	Protection class	Item No. Sensor	Price
<b>HTF200 PT100</b>					<b>Pt 100, class B</b>	
HTF200 PT100	PVC	1.5 m	-35...+105 °C	IP 65 *	1101-6090-1211-110	17,61 €
HTF200 PT100	Silicone	1.5 m	-50...+180 °C	IP 65 *	1101-6090-1211-120	20,91 €
<b>HTF200 PT1000</b>					<b>Pt 1000, class B</b>	
HTF200 PT1000	PVC	1.5 m	-35...+105 °C	IP 65 *	1101-6090-5211-110	17,61 €
HTF200 PT1000	Silicone	1.5 m	-50...+180 °C	IP 65 *	1101-6090-5211-120	20,91 €
<b>HTF200 PT1000 A</b>					<b>Pt 1000 A, class A-TGA</b>	
HTF200 PT1000A	PVC	1.5 m	-35...+105 °C	IP 65 *	1101-6090-6211-110	23,96 €
HTF200 PT1000A	Silicone	1.5 m	-50...+180 °C	IP 65 *	1101-6090-6211-120	27,28 €
<b>HTF200 Ni1000</b>					<b>Ni 1000</b>	
HTF200 Ni1000	PVC	1.5 m	-35...+105 °C	IP 65 *	1101-6090-9211-110	17,95 €
HTF200 Ni1000	Silicone	1.5 m	-50...+180 °C	IP 65 *	1101-6090-9211-120	20,91 €
<b>HTF200 NiTK</b>					<b>Ni 1000 TK 5000</b>	
HTF200 NiTK	PVC	1.5 m	-35...+105 °C	IP 65 *	1101-6091-0211-110	18,82 €
HTF200 NiTK	Silicone	1.5 m	-50...+150 °C	IP 65 *	1101-6091-0211-120	21,79 €
<b>HTF200 LM235Z</b>					<b>LM 235 Z</b>	
HTF200 LM235Z	PVC	1.5 m	-35...+105 °C	IP 65 *	1101-6092-1211-110	18,16 €
HTF200 LM235Z	Silicone	1.5 m	-40...+125 °C	IP 65 *	1101-6092-1211-120	21,47 €
<b>HTF200 NTC1,8K</b>					<b>NTC 1.8K</b>	
HTF200 NTC1,8K	PVC	1.5 m	-35...+105 °C	IP 65 *	1101-6091-2211-110	17,61 €
HTF200 NTC1,8K	Silicone	1.5 m	-50...+150 °C	IP 65 *	1101-6091-2211-120	20,91 €
<b>HTF200 NTC10K</b>					<b>NTC 10K</b>	
HTF200 NTC10K	PVC	1.5 m	-35...+105 °C	IP 65 *	1101-6091-5211-110	17,61 €
HTF200 NTC10K	Silicone	1.5 m	-50...+150 °C	IP 65 *	1101-6091-5211-120	20,91 €
<b>HTF200 NTC20K</b>					<b>NTC 20K</b>	
HTF200 NTC20K	PVC	1.5 m	-35...+105 °C	IP 65 *	1101-6091-6211-110	17,61 €
HTF200 NTC20K	Silicone	1.5 m	-50...+150 °C	IP 65 *	1101-6091-6211-120	20,91 €
Extra charge:	*	Protection type <b>IP 68</b> (Sensor sleeve watertight compound-filled) Other sensors optional Cable length (KL) 3 m, 5 m, 8 m, 10 m (standard lengths) Connection type <b>4-wire</b> (4-conductor)				2,94 €  on request on request on request
For special orders please specify: (possible for 25 or more pieces)	Type sensor length (NL), sensor, cable material, connection type, cable length (KL), protection type e.g. HTF-200 mm, Pt1000, PVC, 2-wire, 10 m, IP 68; HTF-400 mm, Ni1000 TK5000, silicon, 4-wire, 5 m, IP 65					



**HTF200**  
 (NL = 200 mm)  
 with PVC/silicone cable



**IP 65** (standard)  
 humidity-tight stamped



**IP 68** (optional)  
 watertight compound-filled,  
 rolled

THERMASGARD® HTF 50		accessory as immersion / screw-in sensor temperature sensor (ESTF)		
Type / WG01	Description		Item No.	Price
<b>THE -ms / xx</b>				
	Immersion sleeve, brass, nickel-plated, Ø 9 mm, inner diameter of socket Ø = 5.2 mm, with adjusting screw M12 x 1.5			
THE-MS 50MM	p <sub>max</sub> = 16 bar, T <sub>max</sub> = +130 °C	EL = 50 mm	7100-0011-6010-002	9,04 €
THE-MS 100MM	p <sub>max</sub> = 16 bar, T <sub>max</sub> = +130 °C	EL = 100 mm	7100-0011-6020-002	9,76 €
THE-MS 150MM	p <sub>max</sub> = 16 bar, T <sub>max</sub> = +130 °C	EL = 150 mm	7100-0011-6030-002	10,13 €
THE-MS 200MM	p <sub>max</sub> = 16 bar, T <sub>max</sub> = +130 °C	EL = 200 mm	7100-0011-6040-002	10,84 €
THE-MS 250MM	p <sub>max</sub> = 16 bar, T <sub>max</sub> = +130 °C	EL = 250 mm	7100-0011-6050-002	12,15 €
<b>THE -VA / xx</b>				
	Immersion sleeve, stainless steel, V4A (1.4571), Ø 9 mm, inner diameter of socket Ø = 5.2 mm, with adjusting screw M12 x 1.5			
THE-VA 50MM	p <sub>max</sub> = 40 bar, T <sub>max</sub> = +200 °C	EL = 50 mm	7100-0012-6010-002	17,89 €
THE-VA 100MM	p <sub>max</sub> = 40 bar, T <sub>max</sub> = +200 °C	EL = 100 mm	7100-0012-6020-002	19,76 €
THE-VA 150MM	p <sub>max</sub> = 40 bar, T <sub>max</sub> = +200 °C	EL = 150 mm	7100-0012-6030-002	21,23 €
THE-VA 200MM	p <sub>max</sub> = 40 bar, T <sub>max</sub> = +200 °C	EL = 200 mm	7100-0012-6040-002	22,38 €
THE-VA 250MM	p <sub>max</sub> = 40 bar, T <sub>max</sub> = +200 °C	EL = 250 mm	7100-0012-6050-002	27,82 €
THE-VA 300MM	p <sub>max</sub> = 40 bar, T <sub>max</sub> = +200 °C	EL = 300 mm	7100-0012-6060-002	29,07 €
THE-VA 400MM	p <sub>max</sub> = 40 bar, T <sub>max</sub> = +200 °C	EL = 400 mm	7100-0012-6080-002	30,01 €
xx = (EL)	Other installation lengths on request			

**HTF 50**  
(NL = 50 mm)  
with THE immersion sleeve  
as immersion / screw-in temperature sensor

**MF-06-K**  
Mounting flange,  
plastic  
(optional)



**THE -ms**  
Immersion sleeve,  
brass, nickel-plated,  
with adjusting screw



**THE -VA**  
Immersion sleeve,  
stainless steel, V4A,  
with adjusting screw

THERMASGARD® HTF 50		accessories (standard)		
THERMASGARD® HTF 200		accessories (standard)		
Type / WG01	Description	T <sub>max</sub>	Item No.	Price
MF				
MF-06-K	Mounting flange plastic, 56.8 x 84.3 mm, Ø 6.2 mm tube gland (not included in scope of delivery)	+100 °C	7100-0030-1000-000	5,29 €
Note:	For further information see last chapter!			