

**On-wall humidity sensors and temperature sensors (± 1.8%),  
calibratable, with multi-range switching  
and active output**

Calibratable outdoor humidity and temperature sensor **HYGRASGARD® AFTF-20-VA** (± 1.8%) with metal sinter filter, rugged housing, **stainless steel V4A**, optionally with /without display, with cable gland or M12 connector according to DIN EN 61076-2-101.

It measures the relative humidity and the temperature of the air and converts the measurand into a standard signal of 0 - 10 V or 4...20 mA. It has four switchable temperature ranges and is applied in non-aggressive dust-free atmospheres in refrigeration, air conditioning, ventilation and clean room technology. These measuring transducers are designed for exact detection of humidity. A digital long-term stable sensor is used as measuring element for humidity measurement. The sensor is factory-calibrated; an environmental precision adjustment by an expert is possible.

**TECHNICAL DATA**

Power supply:	24 V AC (± 20%); 15...36 V DC for U variant 15...36 V DC for I variant, depending on working resistance, residual ripple stabilised ± 0.3 V
Working resistance:	$R_b \text{ (ohm)} = (U_b - 14 \text{ V}) / 0.02 \text{ A}$ for I variant, see load resistance diagram
Load resistance:	$R_L > 5 \text{ kOhm}$ for U variant
Power consumption:	< 1.1 VA / 24 V DC; < 2.2 VA / 24 V AC
Sensors:	<b>digital humidity sensor with integrated temperature sensor</b> , low hysteresis, high long-term stability

**HUMIDITY**

Measuring range, humidity:	0...100% r. H.
Permitted humidity:	< 95% r. H., non-precipitating air
Deviation in humidity:	typically <b>± 1.8%</b> (10...90% r. H.) at +25 °C, otherwise ± 2.0%
Output humidity:	0 - 10 V for U variant 4...20 mA for I variant

**TEMPERATURE**

Measuring range, temperature:	<b>multi-range switching</b> (see table) <b>-35...+35 °C; -35...+75 °C; 0...+50 °C; 0...+80 °C</b>
Ambient temperature:	storage -35...+85 °C; operation -30...+80 °C, non-precipitating
Deviation, temperature:	typically ± 0.2 K at +25 °C
Output, temperature:	0 - 10 V for U variant 4...20 mA for I variant
Electrical connection:	2-, 3-, or 4-wire connection (see connecting diagram), 0.14 - 1.5 mm <sup>2</sup> , via terminal screws
Cable connection:	<b>cable gland, stainless steel V2A</b> (1.4305) (M20 x 1.5; with strain relief, exchangeable, inner diameter 6 - 12 mm) <b>or</b> <b>M12 connector</b> (male, 5-pin, A-code) according to DIN EN 61076-2-101
Housing:	<b>stainless steel V4A</b> (1.4571), with non-distortion cover bolting, impact resistant, high EMI shielding, corrosion, temperature, weather- and UV-resistant
Housing dimensions:	143 x 97 x 61 mm (Tyr 2E)
Protective tube:	made from stainless steel V2A (1.4301), Ø 16 mm, NL = 137 mm
Sensor protection:	<b>metal sinter filter</b> , Ø 16 mm, L = 32 mm, exchangeable, stainless steel V4A (1.4404)
Process connection:	by screws via the mounting fixture on the housing
Long-term stability:	± 1% per year
Protection class:	III (according to EN 60 730)
Protection type:	<b>IP 65</b> (according to EN 60 529) Housing tested, TÜV SÜD, Report No. 713160960B (Skadi2)
Standards:	CE conformity according to EMC Directive 2014 / 30 / EU, according to EN 61326-1, according to EN 61326-2-3
Optional:	<b>display with illumination</b> , three-line, cutout approx. 70 x 40 mm (W x H), to display the ACTUAL temperature and ACTUAL humidity

**ACCESSORIES** (see table)

**AFTF-20-VA**  
with cable gland



**AFTF-20-VAQ**  
with M12 connector





**NEW**

S+S REGELTECHNIK

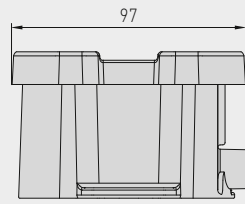
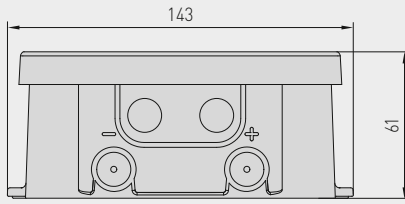
HYGRASGARD® AFTF-20-VA

On-wall humidity sensors and temperature sensors ( $\pm 1.8\%$ ),  
calibratable, with multi-range switching  
and active output



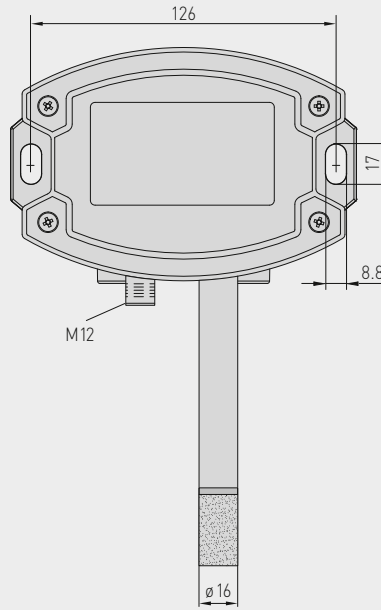
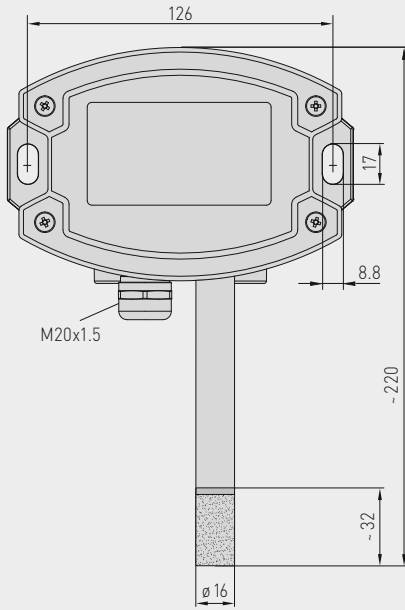
Dimensional drawing

AFTF-20-VA

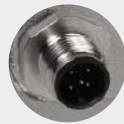


Housing with cable gland

Housing with M12 connector



**SF-M**  
Metal sinter filter  
(standard)



M12 connector  
(male)

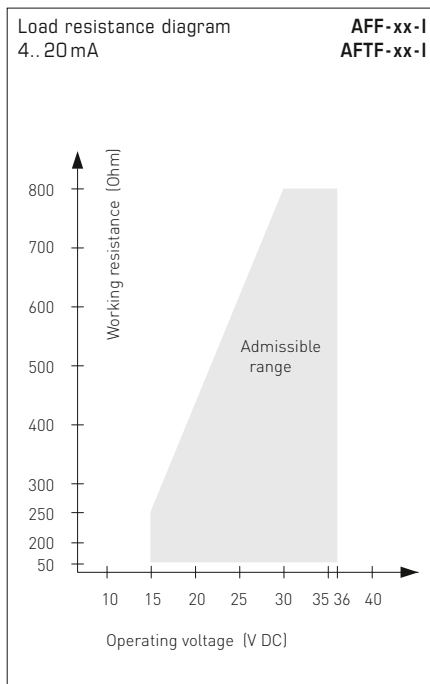
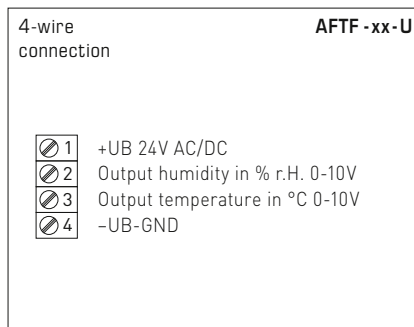
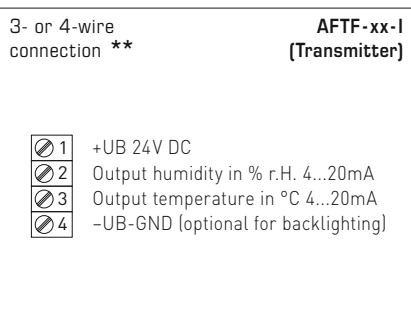
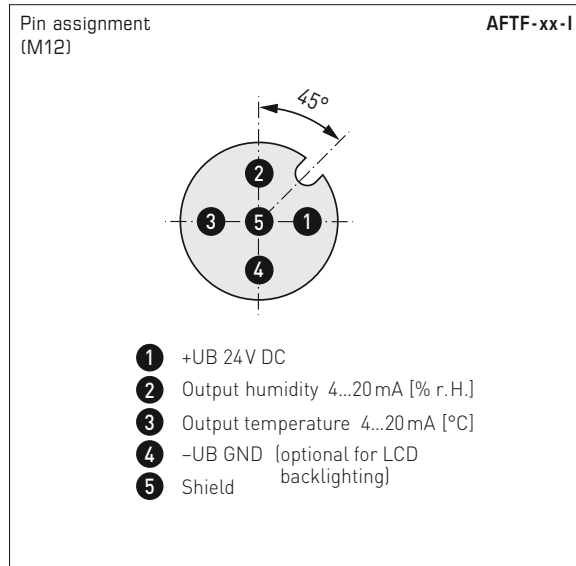
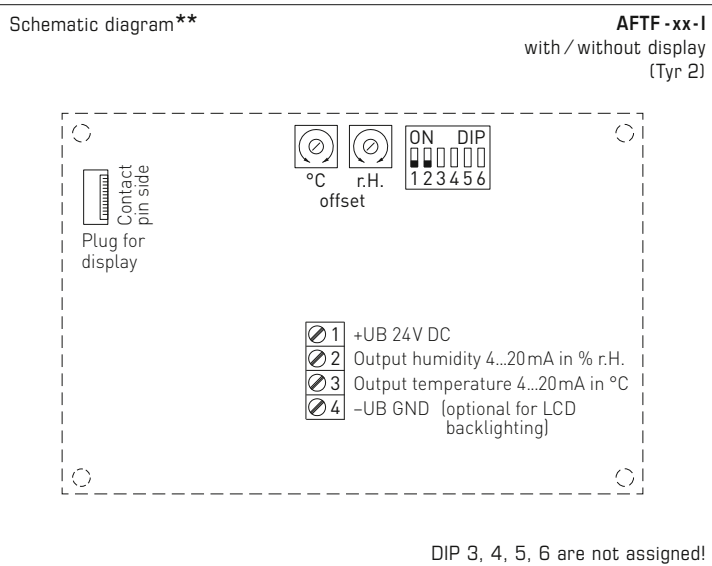
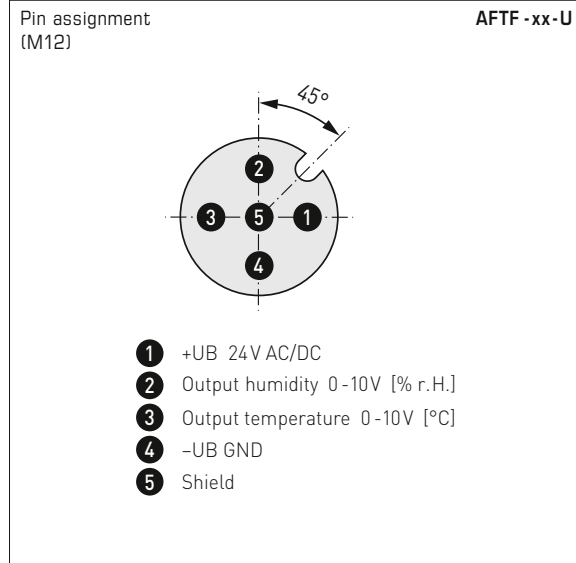
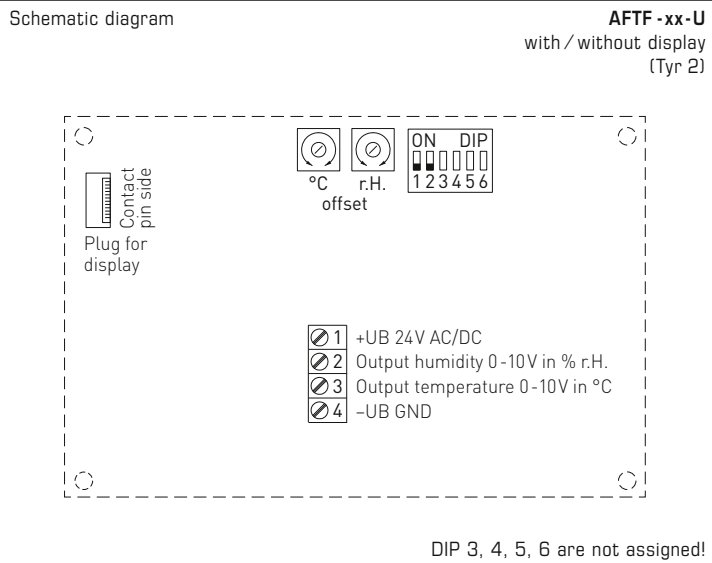
AFTF-20-VA  
with cable gland  
and display



AFTF-20-VAQ  
with M12 connector  
and display



On-wall humidity sensors and temperature sensors ( $\pm 1.8\%$ ),  
calibratable, with multi-range switching  
and active output



Connection\*\*:  
3-wire connection for devices with/without display (not illuminated)  
4-wire connection for devices with illuminated display

For the **I** variant the humidity path must be connected!

Temperature measuring ranges (adjustable)	DIP 1	DIP 2
-35...+75 °C	ON	ON
-35...+35 °C	OFF	OFF
<b>0...+50 °C (default)</b>	OFF	ON
0...+80 °C	ON	OFF



S+S REGELTECHNIK

**NEW**

HYGRASGARD® AFTF-20-VA

On-wall humidity sensors and temperature sensors ( $\pm 1.8\%$ ),  
calibratable, with multi-range switching  
and active output

AFTF-20-VAQ  
with display,  
hinged



Temperature table  
MR: -35...+75 °C

°C	U <sub>A</sub> in V	I <sub>A</sub> in mA
-35	0.0	4.0
-30	0.5	4.7
-25	0.9	5.5
-20	1.4	6.2
-15	1.8	6.9
-10	2.3	7.6
-5	2.7	8.4
0	3.2	9.1
5	3.6	9.8
10	4.1	10.5
15	4.5	11.3
20	5.0	12.0
25	5.5	12.7
30	5.9	13.5
35	6.4	14.2
40	6.8	14.9
45	7.3	15.6
50	7.7	16.4
55	8.2	17.1
60	8.6	17.8
65	9.1	18.5
70	9.5	19.2
75	10.0	20.0

Temperature table  
MR: -35...+35 °C

°C	U <sub>A</sub> in V	I <sub>A</sub> in mA
-35	0.0	4.0
-30	0.7	5.1
-25	1.4	6.3
-20	2.1	7.4
-15	2.9	8.6
-10	3.6	9.7
-5	4.3	10.9
0	5.0	12.0
5	5.7	13.1
10	6.4	14.3
15	7.1	15.4
20	7.9	16.6
25	8.6	17.7
30	9.3	18.9
35	10.0	20.0

Temperature table  
MR: 0...+50 °C

°C	U <sub>A</sub> in V	I <sub>A</sub> in mA
0	0.0	4.0
5	1.0	5.6
10	2.0	7.2
15	3.0	8.8
20	4.0	10.4
25	5.0	12.0
30	6.0	13.6
35	7.0	15.2
40	8.0	16.8
45	9.0	18.4
50	10.0	20.0

Temperature table  
MR: 0...+80 °C

°C	U <sub>A</sub> in V	I <sub>A</sub> in mA
0	0.0	4.0
5	0.6	5.0
10	1.3	6.0
15	1.9	7.0
20	2.5	8.0
25	3.1	9.0
30	3.8	10.0
35	4.4	11.0
40	5.0	12.0
45	5.6	13.0
50	6.3	14.0
55	6.9	15.0
60	7.5	16.0
65	8.1	17.0
70	8.8	18.0
75	9.4	19.0
80	10.0	20.0

Humidity table  
MR: 0...100% r. H.

% r.H.	U <sub>A</sub> in V	I <sub>A</sub> in mA
0	0.0	4.0
5	0.5	4.8
10	1.0	5.6
15	1.5	6.4
20	2.0	7.2
25	2.5	8.0
30	3.0	8.8
35	3.5	9.6
40	4.0	10.4
45	4.5	11.2
50	5.0	12.0
55	5.5	12.8
60	6.0	13.6
65	6.5	14.4
70	7.0	15.2
75	7.5	16.0
80	8.0	16.8
85	8.5	17.6
90	9.0	18.4
95	9.5	19.2
100	10.0	20.0

On-wall humidity sensors and temperature sensors ( $\pm 1.8\%$ ),  
calibratable, with multi-range switching  
and active output

AFTF-20-VAQ  
with M12 connector



HYGRASGARD® AFTF-20-VAQ		On-wall humidity sensors and temperature sensors ( $\pm 1,8\%$ ), ID (with M12 connector)					
Type / WG02	Measuring Range/Readout		Output		Display	Item No.	Price
	Humidity	Temperature	Humidity	Temperature	● = Q		
<b>AFTF-20-VAQ</b>						<b>(active)</b>	
AFTF-20-I VAQ	0...100% r. H.	-35...+75 °C -35...+35 °C 0...+50 °C 0...+80 °C	4...20 mA	4...20 mA	●	2003-6181-2100-001	572,64 €
AFTF-20-I VAQ LCD	0...100% r. H.	(4x as above)	4...20 mA	4...20 mA	● ■	2003-6182-2100-001	706,99 €
AFTF-20-U VAQ	0...100% r. H.	-35...+75 °C -35...+35 °C 0...+50 °C 0...+80 °C	0-10V	0-10V	●	2003-6181-1100-001	572,64 €
AFTF-20-U VAQ LCD	0...100% r. H.	(4x as above)	0-10V	0-10V	● ■	2003-6182-1100-001	706,99 €
<b>Housing variant "Q":</b>		Cable connection with M12 connector (male, 5-pin, A-code)					

ACCESSORIES			
SF-M	Metal sinter filter, $\varnothing$ 16 mm, L = 32 mm, exchangeable stainless steel V4A (1.4404)	7000-0050-2200-100	36,59 €
WS-01	Sun and ball-impact protection hood, 184 x 180 x 80 mm, stainless steel V2A (1.4301)	7100-0040-2000-000	27,47 €
WS-03	Weather and sun protection hood, 200 x 180 x 150 mm, stainless steel V2A (1.4301)	7100-0040-6000-000	38,68 €

For further information see last chapter!



**NEW**

S+S REGELTECHNIK

HYGRASGARD® **AFTF-20-VA**

On-wall humidity sensors and temperature sensors ( $\pm 1.8\%$ ),  
calibratable, with multi-range switching  
and active output



**AFTF-20-VA**  
with cable gland

HYGRASGARD® AFTF-20-VA		On-wall humidity sensors and temperature sensors ( $\pm 1.8\%$ ), <i>ID</i> (with cable gland)					
Type / WG02I	Measuring Range/Readout		Output		Display	Item No.	Price
	Humidity	Temperature	Humidity	Temperature			
<b>AFTF-20-VA</b>							
AFTF-20-I VA	0...100% r. H.	-35...+75 °C -35...+35 °C 0...+50 °C 0...+80 °C	4... 20 mA	4... 20 mA		2003-6181-2200-001	<b>539,32 €</b>
AFTF-20-I VA <b>LCD</b>	0...100% r. H.	(4x as above)	4... 20 mA	4... 20 mA	■	2003-6182-2200-001	<b>673,68 €</b>
AFTF-20-U VA	0...100% r. H.	-35...+75 °C -35...+35 °C 0...+50 °C 0...+80 °C	0-10 V	0-10 V		2003-6181-1200-001	<b>539,32 €</b>
AFTF-20-U VA <b>LCD</b>	0...100% r. H.	(4x as above)	0-10 V	0-10 V	■	2003-6182-1200-001	<b>673,68 €</b>
<b>Housing variant:</b>	Cable connection <b>with cable gland</b>						

ACCESSORIES			
<b>SF-M</b>	Metal sinter filter, $\varnothing$ 16 mm, L=32 mm, exchangeable stainless steel <b>V4A</b> (1.4404)	7000-0050-2200-100	<b>36,59 €</b>
<b>WS-01</b>	Sun and ball-impact protection hood, 184 x 180 x 80 mm, stainless steel <b>V2A</b> (1.4301)	7100-0040-2000-000	<b>27,47 €</b>
<b>WS-03</b>	Weather and sun protection hood, 200 x 180 x 150 mm, stainless steel <b>V2A</b> (1.4301)	7100-0040-6000-000	<b>38,68 €</b>

For further information see last chapter!