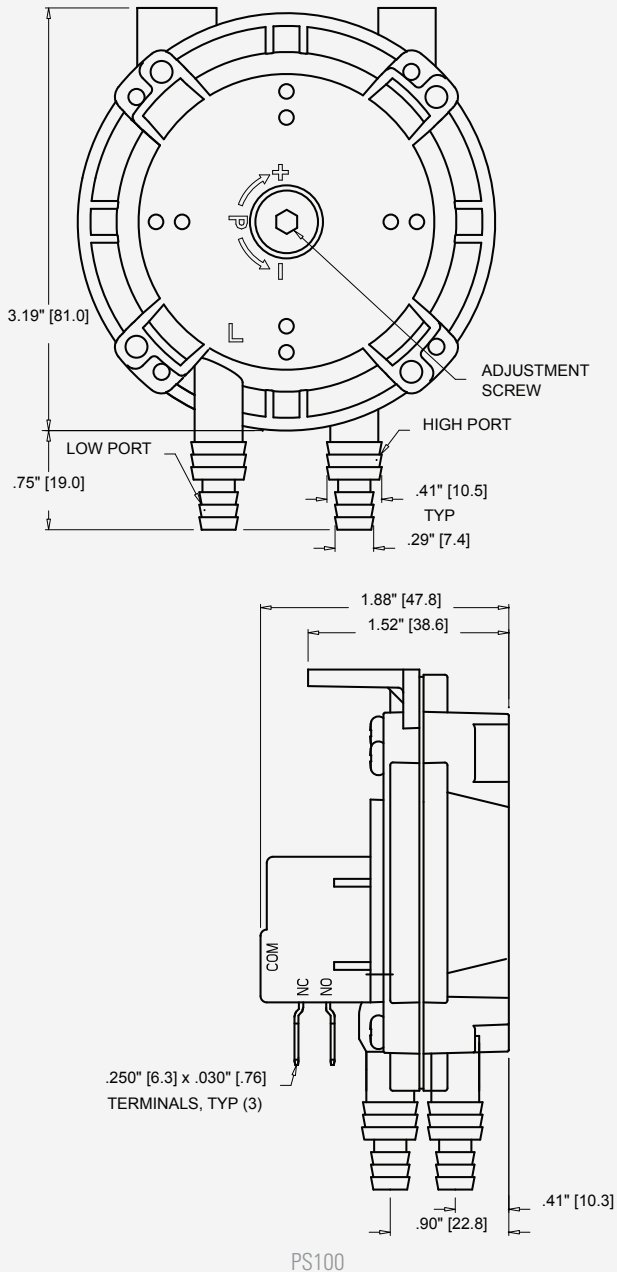


PS100



RoHS

The rugged yet ultra-sensitive Goldtech™ PS100 and PS160 series pressure switches feature a larger diameter diaphragm and incorporate a conventional snap action switch element. This design assures reliable performance under harsh and adverse conditions, while remaining low in relative cost. **FREE** sample switch available by request.



FEATURES / BENEFITS

- Reliable performance under harsh / adverse conditions
- Larger diameter diaphragm / Conventional snap action
- Standard set point models: 0.07" H₂O to 5.0" H₂O
- Field adjustable set point models: 0.2" H₂O to 5.0" H₂O
- Multi-barb port connections standard: .250 in. and .375 in.
- Orifices, bleed holes and various mounting configurations available on all models
- Piggy-back design allows different snap-acting switches
- Lightweight, low cost
- Rigorously tested – Exceeds UL-508 / UL-353 Pilot Duty requirements (Tested hundreds of thousands of cycles)
- Silver contact points
- Different sized electric terminations available for same unit



SPECIFICATIONS

MECHANICAL

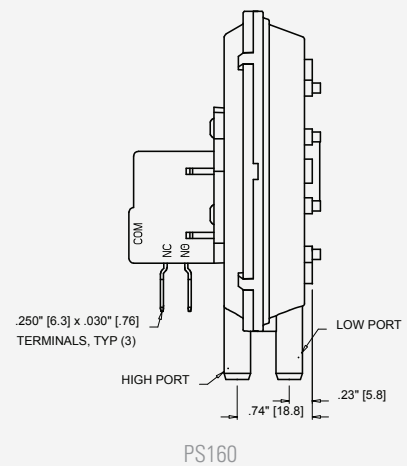
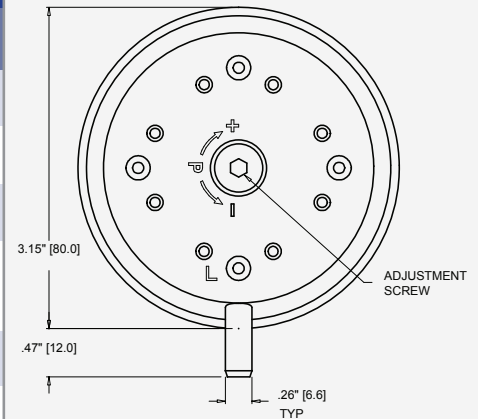
Standard Tolerance	Varies by set point - contact us
Switch Type	SPDT
Switching Medium	Air; compatible fluids
Mechanical Life	Tested hundreds of thousands of cycles Exceeds UL-508 / UL-353 Pilot Duty requirements
Proof Pressure	1.0 psi
Burst Pressure	3.5 psi
Operating Temp.	- 40°F to +185°F

PHYSICAL

Case Material	Noryl® (PPO)
Porting Options	Multi-barb .250 in. and .375 in. (PS100) / .26 in. (PS160)
Diaphragm Material	Post-Cured Silicon
Contact Points	Silver
Electrical Connections	Terminals – .035" x .250" or .02" x .187" tab-type for use with quick disconnects
Mounting <small>(see brackets shown below)</small>	PS100 Series: Vertical mount recommended PS160 Series: Variable position vertical mounting brackets available. Note: Always mount with diaphragm in vertical position unless otherwise specified
Weight	Less than 80 grams average (varies with snap switch / brackets)

ELECTRICAL

Current / Voltage Rating	5A 125/250 VAC Standard 3A 125/250 AC 1/10 HP 125/250 VAC .01A 125/250 VAC
Rated Standards	(UL 1054, EN 61058) UL/VDE Approved MH29861 Related: UL 353, UL 508, BS EN 1854: 1997



Bracket #70018



Bracket #70019



PS160



MH29861

RoHS