

SINGLE-CONTACT LEVEL SWITCHES TYPE SINGOL S1/S1S

DATA SHEET BRASS TYPE

Standard float switch, one contact type
 Brass stem and connection, Spansil float
 1" thread or flanged process connection
 100 to 500 mm. length (step 50 mm.)
 Max working pressure up to 20 bar
 Max temperature 105°C
 Reed switch SPST or SPDT
 Integrated temperature switch (on request)
 DIN-43650A electrical connection
 Protection class IP65

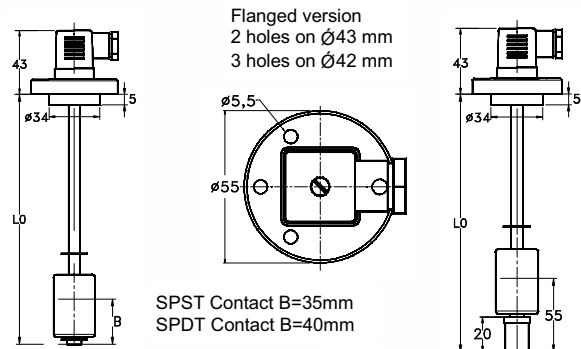
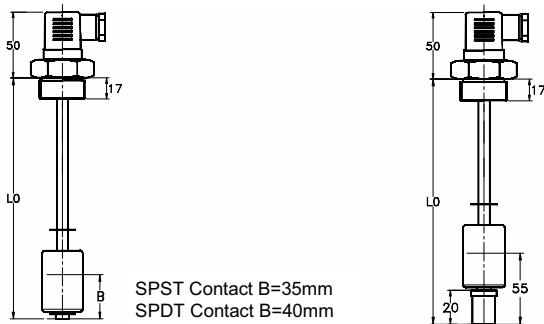


Rev.01/2019

TECHNICAL DATA Tab.1

Float	Description									Code
	SPANSIL –Butadiene Acrylonitrile Copolymer closed cells									B45
Rod length L0 mm	Ø 30 x 45 mm	S.G. 0, 35			20 Bar					O. L0
Process connection	Threaded	1" UNI 228/1 male thread			SW 40		Brass			25GO
							Anodized aluminium			25GD
	Flanged	Double fixing (2 or 3 holes)			Ø 55 mm		PVC			25GV
							Brass			FOPX
Electrical contact	SPST	N.C.	N.O.	Overturning the float of 180°	300 VAC	50W	70VA	0,5A	3	
	SPDT	Changeover contact			350 VDC	60W	60VA	0,7A	7	
Built-in thermostat °C	30	40	50	60	70	80	90	100	N.O.	
On request									°CT1	
Electrical output	DIN 43650 plug						IP 65		°CT2	
Max. temperature °C	105°C								S1	
Sealing gasket	NBR flat gasket anti-oil								L	
									1	

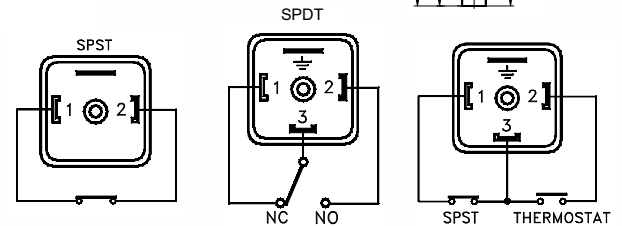
DIMENSIONS Tab.2



WIRING Tab.3

With the thermostat option the customer must define the electrical contact condition. The contact and the thermostat are common wired.

I = Independent C = Common 2 = NC 3 = SPDT
 Wiring Contact status in no level condition



NOMENCLATURE

S1	B45	3	0500	O	25GO	S1	L	1	I2	60T1		
•												
	•											
		•										
			•									
				•								
					•							
						•						
							•					
								•				
									•			
										•		
											•	
												•

Type	
Tab.1	Float
Tab.1	Electrical contact
Tab.1	Total length = L0 mm.
Tab.1	Rod material
Tab.1	Process connection
Tab.1	Electrical output
Tab.1	Temperature class
Tab.1	Sealing gasket
Tab.3	Wiring
Tab.1-3	Thermostat (on request)

SINGLE-CONTACT LEVEL SWITCHES TYPE SINGOL S1/S1S

DATA SHEET STAINLESS STEEL TYPE

Standard float switch, one contact type
 Stainless steel stem, connection and float
 1" thread or flangend process connection
 100 to 500 mm. length (step 50 mm.)
 Max working pressure up to 20 bar
 Max temperature 105°C
 Reed switch SPST or SPDT
 Integrated temperature switch (on request)
 DIN-43650A electrical connection
 Protection class IP65



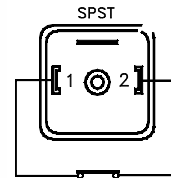
TECHNICAL DATA Tab.1

Float	Description									Codice
	Ø 30 x 32 mm	P.S. 0, 75			30 Bar			S29		
Ø 30 x 32 mm	P.S. 0, 55			10 Bar			S32			
Rod length L0 mm	0100	0150	0200	0250	0300	0350	0400	0450	0500	L0.S
Process connection	Threaded			1" UNI 228/1 male thread			SW 40			25GS
	Flanged			Double fixing (2 or 3 holes)			Ø 55 mm			FSPX
Process connection	SPST	N.C.	N.A.	Overturning the float of 180°	300 VAC 350 VDC	50W	70VA	0,5A 0,7A	3	
	SPDT	Changeover contact			150V	20W	20VA	0,5A	7D	
Electrical output	DIN 43650 plug					IP 65				S1
Max. temperature °C	105°C									L
Sealing gasket	Viton flat gasket									2

DIMENSIONS Tab.2

WIRING Tab.3

I = Independent C = Common 2 = NC 3 = SPDT
 Wiring Contact status in no level condition



NOMENCLATURE

S1	S29	3	0500	S	25GS	S1	L	2	I2	
•										Type
	•									Tab.1 Float
		•								Tab.1 Electrical contact
			•							Tab.1 Total length = L0 mm.
				•						Tab.1 Rod material
					•					Tab.1 Process connection
						•				Tab.1 Electrical output
							•			Tab.1 Temperature class
								•		Tab.1 Sealing gasket
									•	Tab.3 Wiring