

*Technical Data Sheet*

# MJ- SDC

Multi-jet water meter with dry dial

**CE EN 14154**

**WRAS**  
APPROVED  
PRODUCT

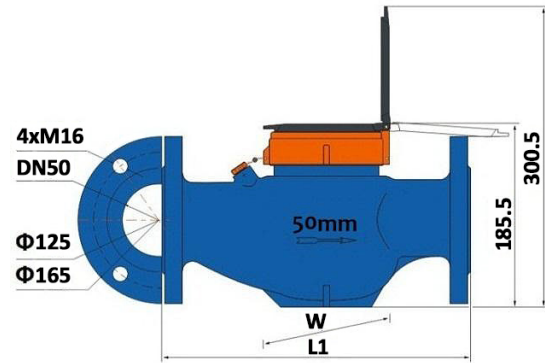
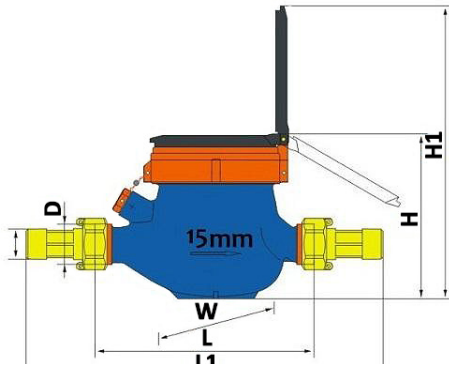


The **VuAqua MJ-SDC** is a multi-jet mechanical water meter with dry type dial counter suitable for a variety of metering applications including general purpose, sub-tenant and commercial metering tasks available in sizes DN15 (1/2") to DN50 (2").

## Key Features

- Multi-jet impellar meter type
- Compact design for most metering applications
- Accuracy Class B
- Dry dial (frost resistant)
- Meter body material is epoxy coated brass
- Drinking water approved (75/33/EEC)
- Can be installed vertically or horizontally
- BSP fittings supplied (nuts, tails & washers)
- Maximum pressure of 16 bar
- Maximum temperature of 30°C
- Integral filtration strainer to stop large particles
- Tamper evident wire lock & seal

## Dimensions



Size	DN15	DN20	DN25	DN32	DN40	DN50	DN50-flange
L	165	190	260	260	300	300	300
L1*	259	294	380	384	431	448	
D	G3/4B	G1B	G1-1/4B	G1-1/2B	G2B	G2-1/2B	
d	R1/2	R3/4	R1	R1-1/4	R1-1/2	R2	
H	107.5	107.5	117.5	117.5	141.5	177	185.5
H1	191	191	206.5	206.5	256.5	292	300.5
W	94	94	98	98	122	145	165

\*L1= the total length with connection and the gasket without compression.

Additional length options available:

Size	DN15	DN20	DN25	DN32	DN40	DN50	DN50 Flange
L	110	160	160	160	200	280	280
	120		220	230	245		
	130		225				
	145						
	170						
	190						

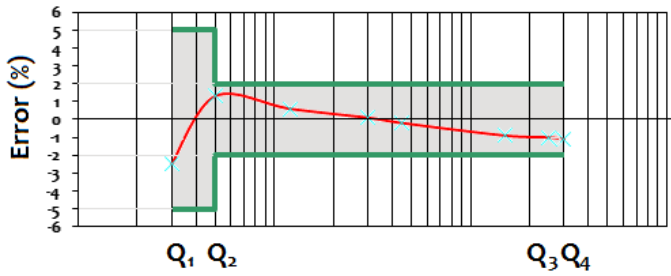
## Technical Data

Size	DN	DN15	DN20	DN25	DN32	DN40	DN50
R	Q3/Q1	R80 for Horizontal Installation					
Q4	m <sup>3</sup> /h	3.125	5	7.875	12.5	20	31.25
Q3	m <sup>3</sup> /h	2.5	4	6.3	10	16	25
Q2	l/h	50	80	126	200	320	500
Q1	l/h	31.25	50	78.75	125	200	312.5
Max. Reading	m <sup>3</sup>	99999.9999					
Min. Reading	Litre	0.05					
Pressure Loss	ΔP	ΔP <63 at Q3					
Max. Pressure	Bar	16					
Max. Temperature	°C	30 (Max 50 Degrees is possible)					



## Max. Permission Error

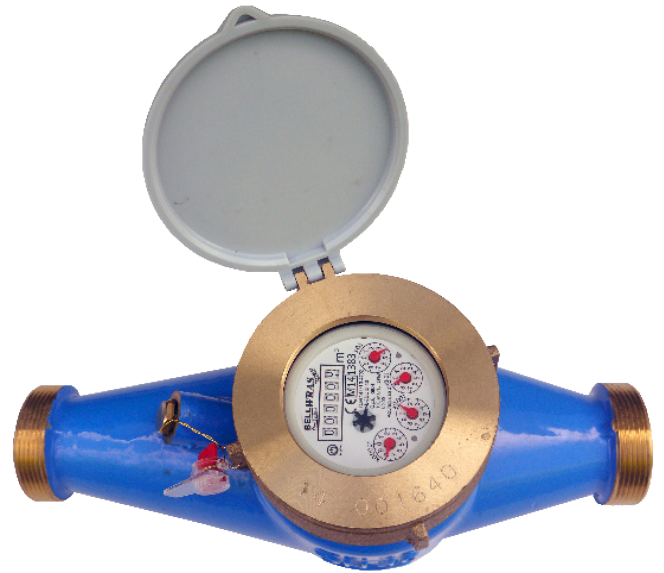
From Q1 inclusive up to but excluding Q2 is  $\pm 5\%$   
 From Q2 inclusive up to and including Q4 is  $\pm 2\%$



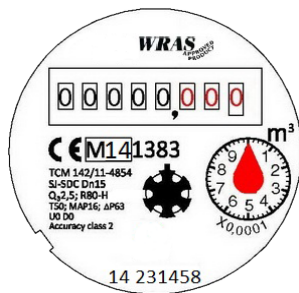
## Pulse Output

Pulse output option available on all sizes.

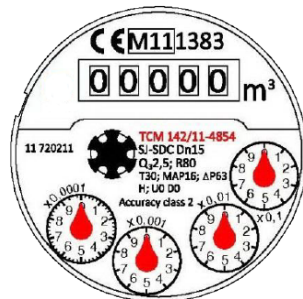
Pulse Output Capacity (litres/pulse):  
 10, 100, 100 or 1000



## Dial Options



Standard



4 Pointers

Distributed by:



Meet the VuAqua family