

# BLADDER ACCUMULATORS TYPE EHV/EHVF 330/350/480/690 bar

## EHV Series 330 bar - Volumes 10 to 57 liters

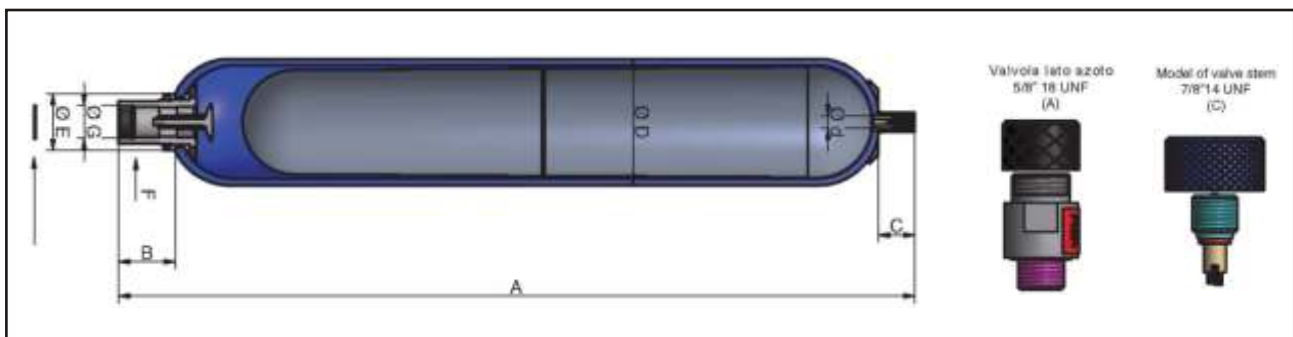
Standard Steel body, NBR Bladder and Seal  
 Temperatures -20 ... +80 °C  
 Nitrogen Valve 5/8" 18 UNF  
 Threaded Fluid Port G 2" Female

Type	Gas Volume Litres	Work Pressure bar	Max Flow Rate lt/min	Weight kg	Clamps x Quantity	Support Bracket	Fixation Assembly	Dimensions in mm							
								A	B	C	øD	ød	øE	F	G
EHV 10 - 330/90	9,2	330	900	31	D 226x2	CE 159A	EF2	587	103	66	226	22,5	101	70	G 2"
EHV 12 - 330/90	11	330	900	36	D 226x2	CE 159A	EF2	687	103	66	226	22,5	101	70	G 2"
EHV 20 - 330/90	17,8	330	900	49	D 226x2	CE 159A	EF2	897	103	66	226	22,5	101	70	G 2"
EHV 24,5 - 330/90	22,5	330	900	56	D 226x2	CE 159A	EF2	1032	103	66	226	22,5	101	70	G 2"
EHV 32 - 330/90	32	330	900	81	D 226x2	CE 159A	EF3	1420	103	66	226	22,5	101	70	G 2"
EHV 42 - 330/90	42	330	900	87	D 226x2	CE 159A	EF3	1562	103	66	226	22,5	101	70	G 2"
EHV 50 - 330/90	48,5	330	900	110	D 226x2	CE 159A	EF3	1936	103	66	226	22,5	101	70	G 2"
EHV 57 - 330/90	53	330	900	116	D 226x2	CE 159A	EF3	1936	103	66	226	50	101	70	G 2"

## EHV Series 350 bar - Volumes 0,2 to 10 liters

Standard Steel body, NBR Bladder and Seal  
 Temperatures -20 ... +80 °C  
 Nitrogen valve 5/8" 18 UNF 0,2 to 0,5 lt, 7/8" UNF 1 to 10 lt  
 Threaded Fluid port G 1/2" to G 1" 1/4" Female (depends on the volume)

Type	Gas Volume Litres	Work Pressure bar	Max Flow Rate lt/min	Weight kg	Clamps x Quantity	Gas Valve Type	Support Bracket	Fixation Assembly	Dimensions in mm							
									A	B	C	øD	ød	øE	F	G
EHV 0,2 - 350/00*	0,17	350	120	2,5	A 56X1	A	-	-	268	38	24	58	16	39	24	G 1/2"
EHV 0,5 - 350/00*	0,60	350	240	3	E 95x1	A	-	-	259	54	28	91	16	50	32	G 3/4"
EHV 1 - 350/00*	1	350	240	6	E 114x1	C	CE 89	-	330	54	66	116	22,5	50	32	G 3/4"
EHV 1,6 - 350/90*	1,6	350	240	8	E 95x1	C	CE 89	-	442	54	66	116	22,5	50	32	G 3/4"
EHV 2,5 - 350/90*	2,4	350	450	11	E 114x2	C	CE 89	-	549	66	66	116	22,5	68	50	G 1" 1/4"
EHV 4 - 350/90*	3,7	350	450	15	E 168x1	C	CE 108	EF1	434	65	66	170	22,5	68	50	G 1" 1/4"
EHV 5 - 350/90*	5	350	450	17	E 114x2	C	CE 89	-	898	66	66	115	22,5	68	50	G 1" 1/4"
EHV 6 - 350/90*	6	350	450	20	E 168x1	C	CE 108	EF1	560	65	66	170	22,5	68	50	G 1" 1/4"
EHV 10 - 350/90*	10	350	450	31	E 168x2	C	CE 108	EF1	825	65	66	170	22,5	68	50	G 1" 1/4"



# BLADDER ACCUMULATORS TYPE EHV/EHVF 330/350/480/690 bar

## EHV Series 480 bar - Volumes 10 a 50 litres

Standard Steel body, NBR Bladder and Seal  
 Temperatures -20 ... +80 °C  
 Nitrogen Valve 5/8" 18 UNF  
 Threaded Fluid Port G 2" Female

Type	Gas Volume Litres	Work Pressure bar	Max Flow Rate l/min	Weight kg	Clamps x Quantity	Support Bracket	Fixation Assembly	Dimensions in mm							
								A	B	C	øD	ød	øE	F	G
EHV 10 - 480/90*	9,2	480	900	33	D 226x2	CE 159A	EF2	593	103	74	228	22,5	101	70	G 2"
EHV 12 - 480/90*	11	480	900	43	D 226x2	CE 159A	EF2	693	103	74	228	22,5	101	70	G 2"
EHV 20 - 480/90*	17,8	480	900	63	D 226x2	CE 159A	EF2	903	103	74	228	22,5	101	70	G 2"
EHV 32 - 480/90*	32	480	900	97	D 226x2	CE 159A	EF3	1428	103	74	228	22,5	101	70	G 2"
EHV 50 - 480/90*	48,5	480	900	132	D 226x2	CE 159A	EF3	1967	103	99	228	51	101	70	G 2"

## EHV Series 690 bar - Volumes 1 to 5 litres

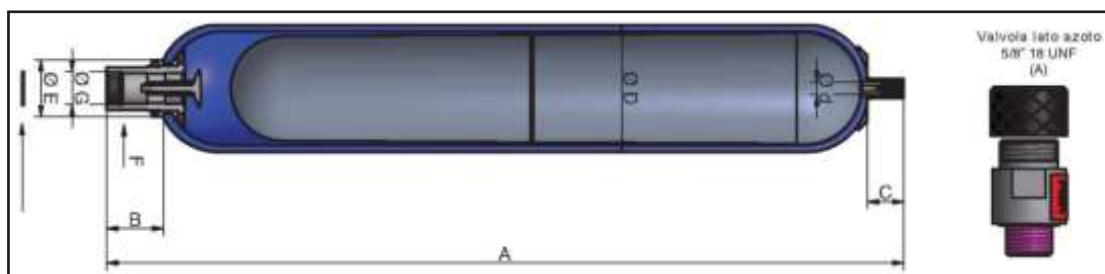
Standard Steel body, NBR Bladder and Seal  
 Temperatures -20 ... +80 °C  
 Nitrogen Valve 5/8" 18 UNF  
 Threaded Fluid Port G 1" Female

Type	Gas Volume Litres	Work Pressure bar	Max Flow Rate l/min	Weight kg	Clamps x Quantity	Support Bracket	Fixation Assembly	Dimensions in mm							
								A	B	C	øD	ød	øE	F	G
EHV 1 - 690/90*	1,1	690	360	8,9	E 114x1	CE 89		376	68	69	122	22,5	68	45	G 1"
EHV 2,5 - 690/90*	2,4	690	360	15	E 114x2	CE 89		551	68	69	122	22,5	68	45	G 1"
EHV 5 - 690/90*	5	690	360	29	E 114x2	CE 89		900	68	69	122	22,5	68	45	G 1"

## EHV Series 690 bar - Volumes 12 to 54 litres

Standard Steel body, NBR Bladder and Seal  
 Temperatures -20 ... +80 °C  
 Nitrogen Valve 5/8" 18 UNF  
 Threaded Fluid Port G 2" Female

Type	Gas Volume Litres	Work Pressure bar	Max Flow Rate l/min	Weight kg	Clamps x Quantity	Support Bracket	Dimensions in mm						
							A	B	øD	ød	øE	F	G
EHV 12 - 690/90	11	690	900	97	11060x2	11061	682	84	267	50	110	77	G 2"
EHV 20 - 690/90	16,5	690	900	134	11060x2	11061	872	84	267	50	110	77	G 2"
EHV 37 - 690/90	33,4	690	900	227	11060x2	11061	1417	84	267	50	110	77	G 2"
EHV 54 - 690/90	53	690	900	318	11060x2	11061	1932	84	267	50	110	77	G 2"





# BLADDER ACCUMULATORS TYPE EHV/EHVF 330/350/480/690 bar

## EHVF Series 330 bar - Volumes 10 to 57 litres

Standard Steel body, NBR Bladder and Seal

Temperatures -20 ... +80 °C

Nitrogen Valve 5/8" 18 UNF

Flanged Fluid Port G 1 1/2 SAE 6000 psi

Type	Gas Volume Litres	Work Pressure bar	Max Flow Rate l/min	Weight kg	Clamps x Quantity	Support Bracket	Fixation Assembly	Kit Flange	Dimensions in mm									
									A	B	C	øD	ød	øE	F	ØG	ØL	M
EHVF 10 - 330/90	9,2	330	900	31	D 226x2	CE159A	EF2	BR400-38	627	143	66	226	22,5	101	70	34	63,8	12,5
EHVF 12 - 330/90	11	330	900	36	D 226x2	CE159A	EF2	BR400-38	727	143	66	226	22,5	101	70	34	63,8	12,5
EHVF 20 - 330/90	17,8	330	900	49	D 226x2	CE159A	EF2	BR400-38	937	143	66	226	22,5	101	70	34	63,8	12,5
EHVF 24,5 - 330/90	22,5	330	900	56	D 226x2	CE159A	EF2	BR400-38	1072	143	66	226	22,5	101	70	34	63,8	12,5
EHVF 32 - 330/90	32	330	900	81	D 226x2	CE159A	EF2	BR400-38	1046	143	66	226	22,5	101	70	34	63,8	12,5
EHVF 42 - 330/90	42	330	900	87	D 226x2	CE159A	EF2	BR400-38	1602	143	66	226	22,5	101	70	34	63,8	12,5
EHVF 50 - 330/90	48,5	330	900	110	D 226x2	CE159A	EF2	BR400-38	1976	143	66	226	22,5	101	70	34	63,8	12,5
EHVF 57 - 330/90	53	330	900	143	D 226x2	CE159A	EF2	BR400-38	2072	143	66	226	22,5	101	70	34	63,8	12,5

## EHVF Series 350 bar - Volumes 2,5 to 10 litres

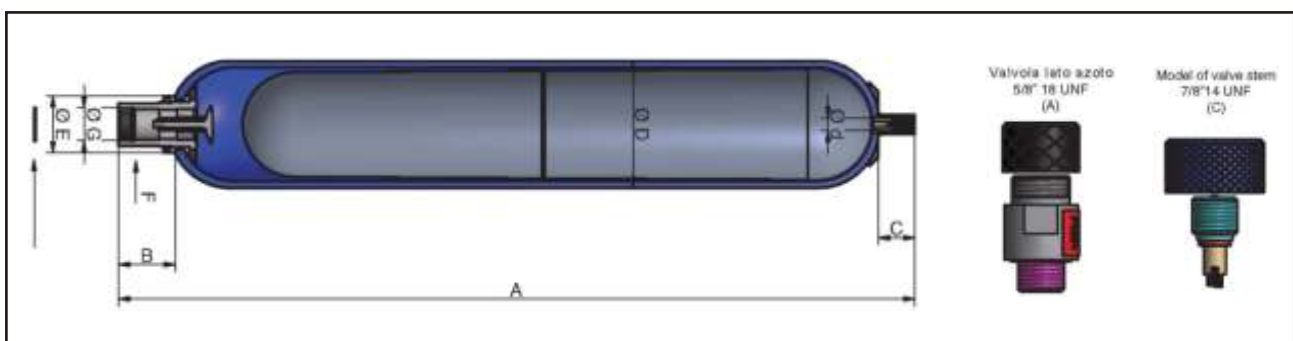
Standard Steel body, NBR Bladder and Seal

Temperatures -20 ... +80 °C

Nitrogen Valve 5/8" 18 UNF

Flanged Fluid Port G 1" SAE 6000 psi

Type	Gas Volume Litres	Work Pressure bar	Max Flow Rate l/min	Weight kg	Clamps x Quantity	Support Bracket	Fixation Assembly	Kit Flange	Dimensions in mm									
									A	B	C	øD	ød	øE	F	ØG	ØL	M
EHVF 2,5 - 350/90	2,4	350	450	11	E 114x2	CE89	EF4	BR400-25	595	111	66	116	22,5	68	50	22	47,9	9,5
EHVF 4 - 350/90	3,7	350	450	15	E 168x2	CE108	EF1	BR400-25	480	110	66	170	22,5	68	50	22	47,9	9,5
EHVF 5 - 350/90	5	350	450	17	E 114x2	CE89	EF4	BR400-25	944	111	66	116	22,5	68	50	22	47,9	9,5
EHVF 6 - 350/90	6	350	450	20	E 168x2	CE108	EF1	BR400-25	606	110	66	170	22,5	68	50	22	47,9	9,5
EHVF 10 - 350/90	10	350	450	31	E 168x2	CE108	EF1	BR400-25	871	110	66	170	22,5	68	50	22	47,9	9,5



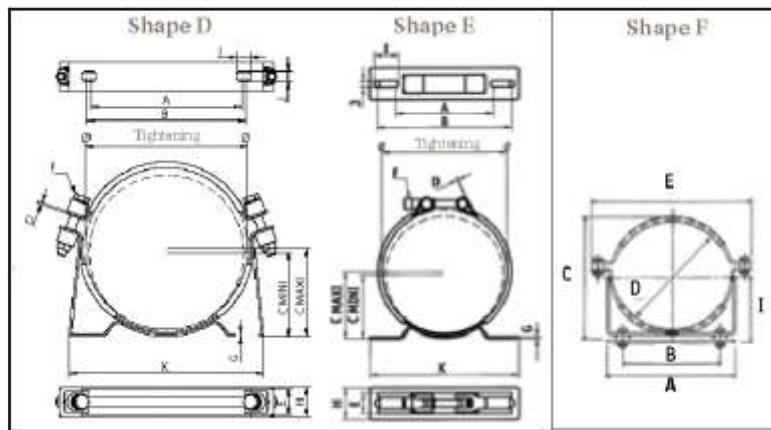
# BLADDER ACCUMULATORS TYPE EHV/EHVF 330/350/480/690 bar

## ACCESSORIES

### CLAMPS

Type	Shape	Recommended Tightening Min/Max mm Diameter	Dimensions in mm												Recommended Tightening Torque N/m		
			A		B		C		D	E	F	G	H	I		J	K
			Min	Max	Min	Max	Min	Max									
A 56	E	54/56	92	102	36	36	3	37	M10x80	3	31	14	9	134	7		
E 95	E	87/97	88	140	61.5	66.5	1.5	28	M8x75	3	40	35	9	155	7		
E 114	E	112/124	88	140	73	78	1.5	28	M8x75	3	40	35	9	155	7		
E 168	E	166/176	137	189	92	96	1.7	30	M10x80	3	45	35	9	210	10.5		
D226	D	219/226	210	222	119	122.5	3	35	M12x80	3	40	21	15	270	11		
F260	F	260	260	195	263	-	260	295	-	-	-	-	-	295	-		

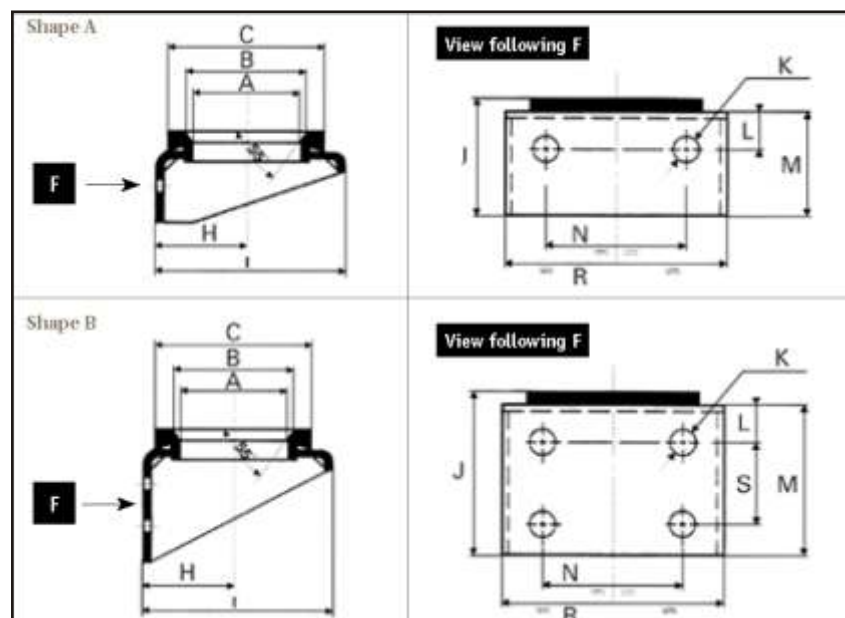
All dimensions are in mm and are subject to manufacture tolerance



### SUPPORT BRACKETS

Type	Shape	A	B	C	H	I	J	K	L	M	N	R	S	Weight
CE 89	A	89	101	125	73	140	75	13	25	60	75	130	-	0.8
CE 108	A	108	120	150	92	175	95	17	25	80	160	210	-	1.5
CE 159A	B	159	170	200	123	235	115	17	25	100	200	260	40	2.9
CE 11061	B	-	-	-	137	250	206	17	45	191	108	216	111	6

All dimensions are in mm and are subject to manufacture tolerances

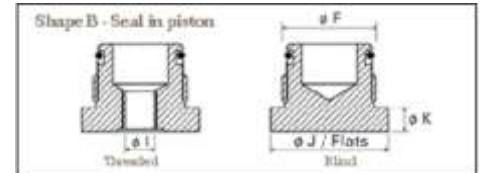
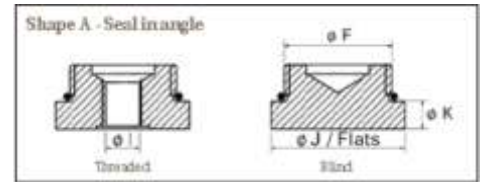


# BLADDER ACCUMULATORS TYPE EHV/EHVF 330/350/480/690 bar

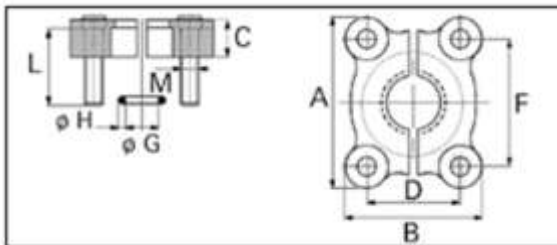
## ACCESSORIES

### FITTINGS EHV

Accumulator Model	Connection of accumulator ø1 gas cyl.	Connection of fitting ø F gas cyl.	Shape	J/Flats	K	O-Ring & Backup ring
EHV 0.5 & 1 & 1.6 Litres 350 Bar	3/4"	3/8"	A/B	-	8	A. O-Ring 21.3 x 2.4 B. O-Ring 16.9 x 2.7
EHV 2.5 to 10 Litres 350 Bar	1 1/4"	3/4"	A/B	32	10	A. O-Ring 36.2 x 3 B. O-Ring 30 x 3
EHV 0.2 Litres 350 Bar	1/2"	1/4"	A	50	8	O-Ring 18 x 2
EHV 1 to 5 Litres 690 Bar	1"	1/2"	B	A	27	
EHV 10 to 50 Litres 330/480 Bar	2"	1"	A/B	B	41	A. BU R22 x 28 x 0.69 x 2 B. O-Ring 21.3 x 3.6
EHV 10 to 50 Litres 690 Bar	2"	1"	A/B	B	13	A. O-Ring 54 x 3 B. O-Ring 48 x 3
		Blind	B	65	15	O-Ring 43.82 x 5.33
		Blind	B	65		BU R 45 x 54 x 0.85 x 2



### FLANGES KIT EHV



Type	A	B	C	D	F	ø G	ø H	L	M
BR 400-25	81	70	24	27.75	57.15	32.92	3.53	40	M12
BR 400-38	113	95	30	36.5	79.4	47.22	3.53	50	M16

These flanges are conforming following to ISO 6162

### FIXATION MOUNTING FRAMES

Type	A	B	C	D	E	F	G	H	J
EF1*	670	570	225	92	96	340	370	270	50
EF2**	670	570	285	123	115	340	370	270	50
EF3***	1405	1300	285	123	115	340	370	270	55

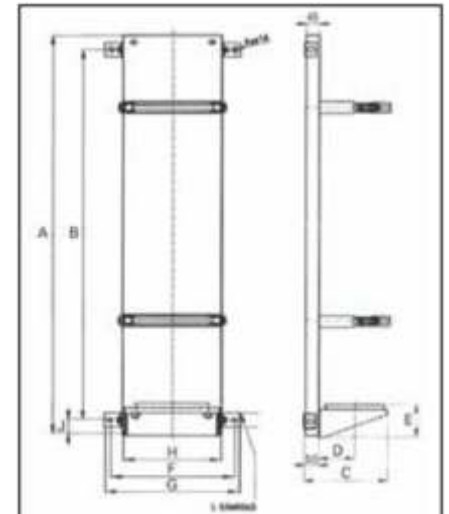
\* For Accumulators Volume 4 & 6 & 10L \*\* For Accumulators Volume 10 UP TO 24.5L

\*\*\* For Accumulators Volume 32 UP TO 57L



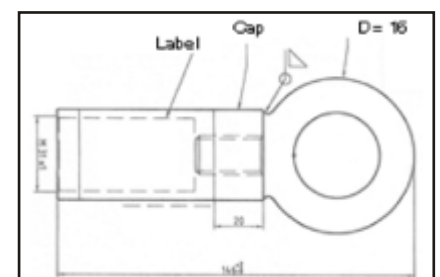
#### Installed accumulator rack

We are able to design and manufacture modular compact assemblies.



### LIFTING EYE

Type	Volume Accumulator	Ø	Mounting	A	Weight
109127	1 to 60 Litres	22	Nut of protection cap M31 x 1	146	0,65
090988	10 to 54 Litres	50	On valve stem M50 x 1.5		2,05





# BLADDER ACCUMULATORS TYPE EHV/EHVF 330/350/480/690 bar

## UNIVERSAL PRESSURE CHECKER/PRESSURIZER TYPE VGU

The VGU universal pressure checker/pressurizer is the instrument definitely needed to check nitrogen filling pressure and to fill and vent the nitrogen for all accumulators on the market up to a maximum working pressure of 340 bar.

This device is screwed onto the accumulator valve and connected to the nitrogen source with a hose.

If the nitrogen pressure is only to be checked or reduced, this connection hose is not necessary.

The unit is delivered in a standard version in a case containing:

- VGU universal pressure checker/pressurizer (M 28x1,50 outlet)
- Manometer kit 0-25 bar
- Manometer kit 0-250 bar
- Adapters for connection to a pressurization valves (7/8" - 5/8" - Vg8)
- 2,5 mt long hose, for connection to a source nitrogen
- 6 mm A/F allen wrench
- Spare seal kit
- Operating instructions in different languages

Notes: it can be supplied with the following on request: Manometer kit with a multiple-graduation scale

Adapter for foreign nitrogen cylinders (indicate country)

Flexible hose with a different length

## TECHNICAL CHARACTERISTICS

Maximum working pressure:	340 bar
Accumulator connection:	7/8" 14 UNF - 5/8" 18 UNF - 8V1 - M 28x1,5 - (Allen 6)
Flexible hose:	Approximately 2,5 mt long fitted with a G 1/4" Cyl. Female adapter at each end for connection to the pressure source and fitted to hose.
Connection to nitrogen cylinder:	Nut $\varnothing$ 21,7 x 1,814 SI, with a nitrogen source. Join-seal G 1/4" cyl.
Manometers:	$\varnothing$ 63 mm (glycerin-bath type) with G1/4" cyl. Rear outlet, fitted with a direct connection adapter for connection to a minimes connector. Two units scale 0÷25 and 0÷250 bar, with 1,6% accuracy. Other graduations on request

