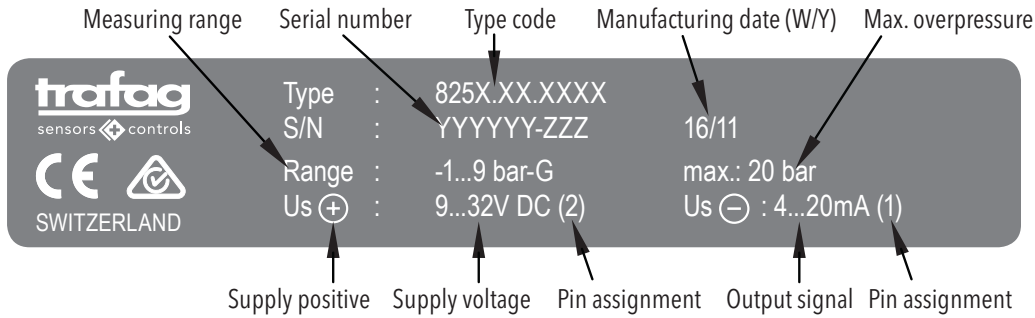


**Technical specification**


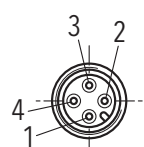
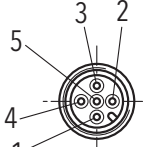
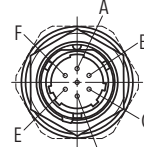
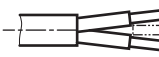
Ambient temperature: -40°C ... +125°C (NAR 8258: -40°C ... +85°C)  
(cable PVC 22: -5 ... 60°C)  
(cable PUR 24: -40 ... 70°C)  
(cable Radox Tenuis 88: -40 ... 100°C)

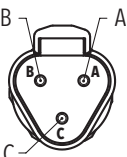
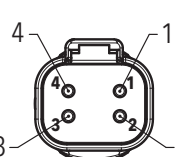
Media temperature: -40°C ... +125°C (NAR 8258: -40°C ... +85°C)

**Type label description (Example)**



**Electrical connections**

<b>Ingress Protection</b>	IP65 <sup>1)2)</sup>	IP67 <sup>1)2)</sup>	IP67 <sup>1)2)</sup>	IP67 <sup>1)2)</sup>	IP67 / IP68 <sup>2)3)</sup>
<b>Designation</b>	Industrial standard	M12x1 4-pole	M12x1 5-pole	MIL-C 26482	Cable
<b>Type code</b>	825X.XX.XXXX <b>01</b>	825X.XX.XXXX <b>32</b>	825X.XX.XXXX <b>35</b>	825X.XX.XXXX <b>02</b>	825X.XX.XXXX <b>22/24/08/88</b>
<b>Pin configuration</b>					 RD: red BK: black WH: white GN: green BN: brown YE: yellow YE/GN: yellow/green

<b>Ingress Protection</b>	IP67, IP68 <sup>1)4)</sup>	IP67, IP68 <sup>1)4)</sup>
<b>Designation</b>	DT04 3-pole	DT04 4-pole
<b>Type code</b>	825X.XX.XXXX <b>D3</b>	825X.XX.XXXX <b>D4</b>
<b>Pin configuration</b>		

**Output**

4 ... 20 mA  
0 ... 6 VDC ranges  
0 ... 10.1 VDC ranges  
0.5 ... 4.5 VDC ratiom.  
2 PNP Transistors  
1 PNP Transistor

**Load resistance**

see graphic  
≥ 5.0 kΩ to Us-  
≥ 5.0 kΩ to Us-  
≥ 5.0 kΩ to Us-

**ISUPPLY**

≤ 20 mA  
≤ 15 mA  
≤ 10 mA  
≤ 10 mA  
≤ 10 mA

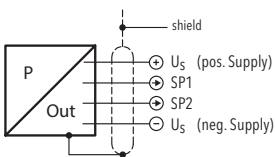
**USUPPLY**

24 (9 ... 32) VDC  
24 (9 ... 32) VDC  
24 (15 ... 32) VDC  
5 (4.75 ... 5.25) VDC  
24 (9 ... 32) VDC  
24 (9 ... 32) VDC

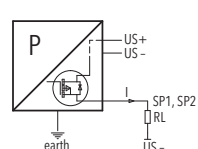
<sup>1)</sup> Provided female connector is mounted according to instructions  
<sup>2)</sup> Ventilation via male electrical plug/ cable  
<sup>3)</sup> IP68, 20 bar, 30 min. (not for cable 08)  
<sup>4)</sup> IP68, 100 mbar, 4h

**Connection of the measuring equipment**

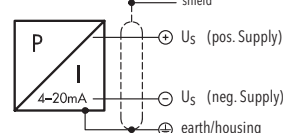
**Switching output**



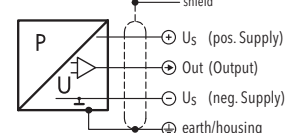
**Connection of loads to switch contacts**



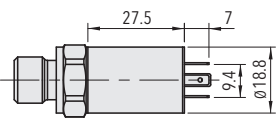
**Current output 2-wires**



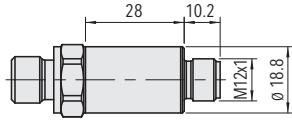
**Voltage output 3-wires**



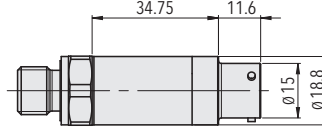
## Electrical connections



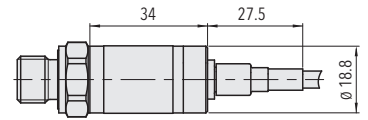
825X.XX.XXXX **01** XX.XX



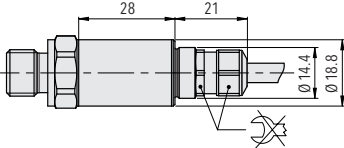
825X.XX.XXXX **32/35** XX.XX



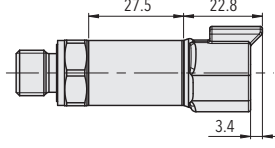
825X.XX.XXXX **02** XX.XX



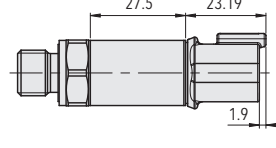
825X.XX.XXXX **08** XX.XX



825X.XX.XXXX **22/24/88** XX.XX

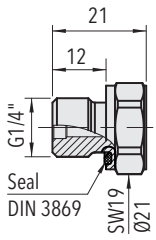


825X.XX.XXXX **D3** XX.XX

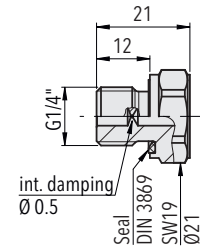


825X.XX.XXXX **D4** XX.XX

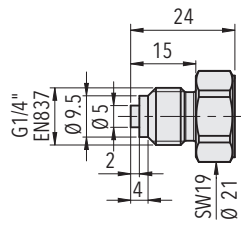
## Pressure connections



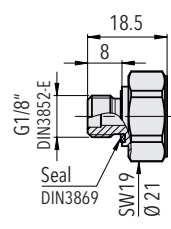
825X.XX.XX **17** XX



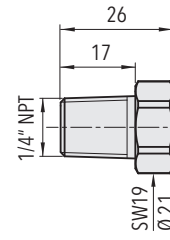
825X.XX.XX **15** XX



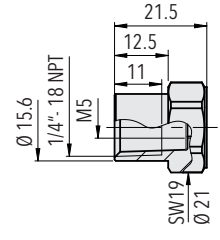
825X.XX.XX **53** XX



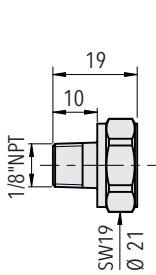
825X.XX.XX **54** XX



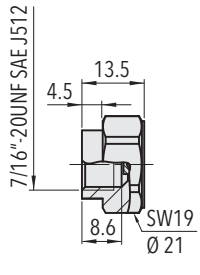
825X.XX.XX **30** XX



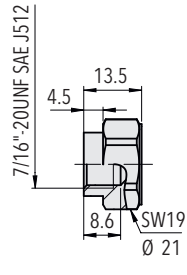
825X.XX.XX **13** XX



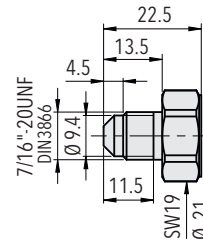
825X.XX.XX **43** XX



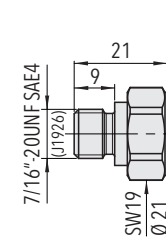
825X.XX.XX **24** XX



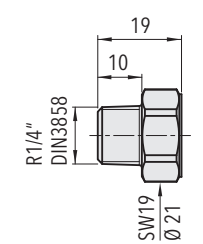
825X.XX.XX **44** XX



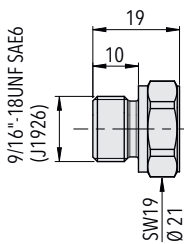
825X.XX.XX **18** XX



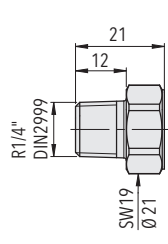
825X.XX.XX **42** XX



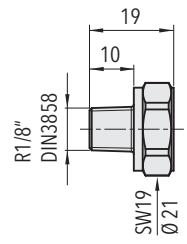
825X.XX.XX **19** XX



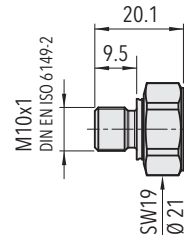
825X.XX.XX **61** XX



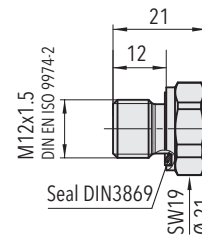
825X.XX.XX **20** XX



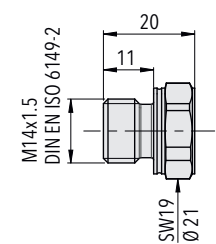
825X.XX.XX **16** XX



825X.XX.XX **32** XX



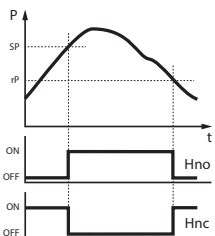
825X.XX.XX **49** XX



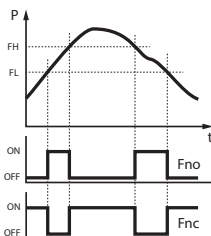
825X.XX.XX **31** XX

## Functions switching output

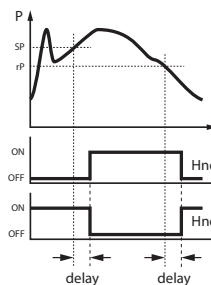
### Hysteresis



### Window



### Delay



4...20mA: min./max resistor vs. supply voltage @ Pmax = 100%

